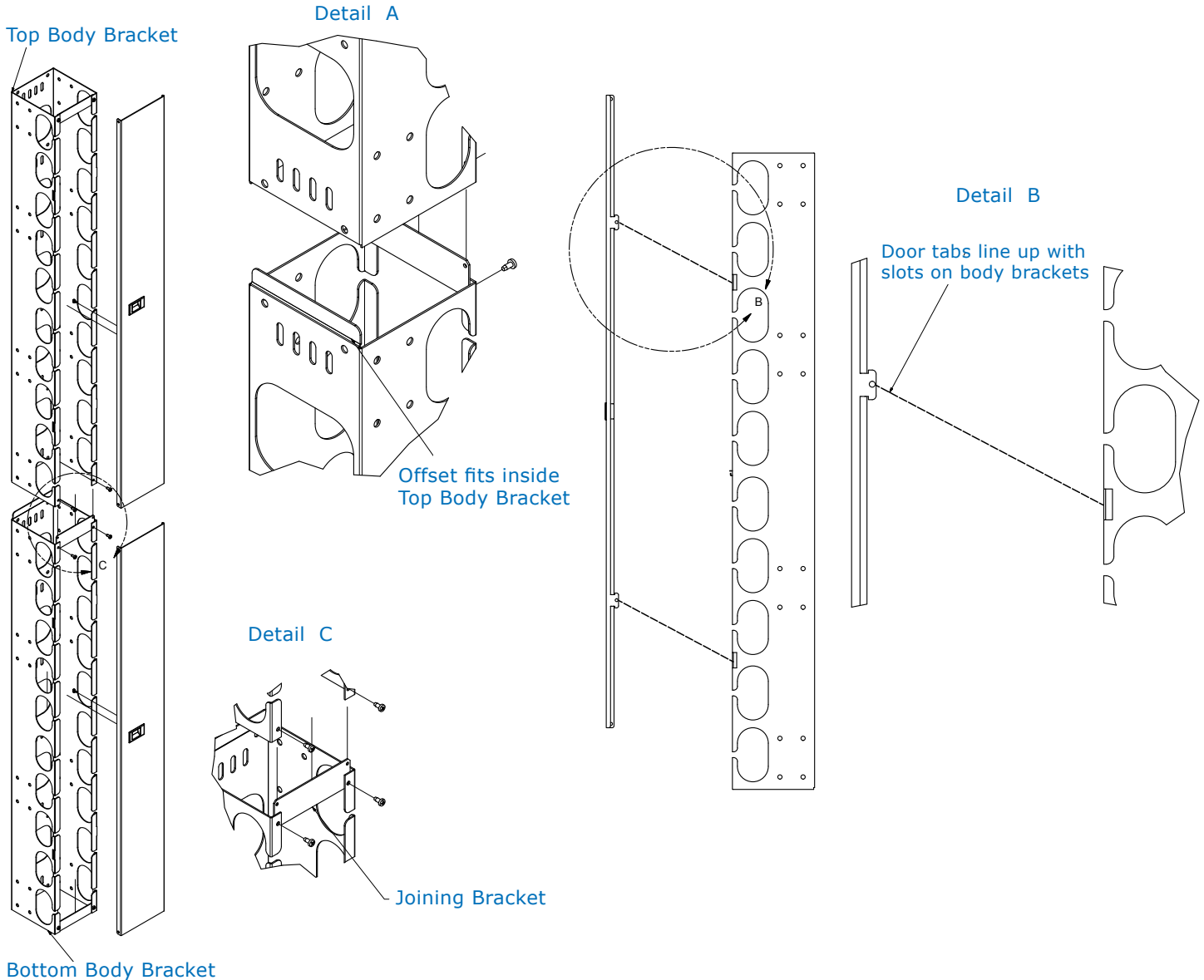


## Rack Vertical Cable Manager - Installation



### Installation Procedure:

- 1) Begin by mounting the bottom body bracket to the rack via the 1/4-20 x 3/4" machine screws.
- 2) Slide the top body bracket over the offset of the bottom body bracket and attach to the rack via the 1/4-20 x 3/4" machine screws (see Detail A).
- 3) Attach the joining bracket on the front of the bodies using the #8 x 3/8" tapping screws (see Detail C).
- 4) Hang the doors by lining up the offset tabs with the slots in the side of the bodies (see Detail B).

Note: The doors can be installed on either side of the vertical body; thus you can choose the direction you want the door to open.