

## FRONT TO BACK CABLE TROUGH

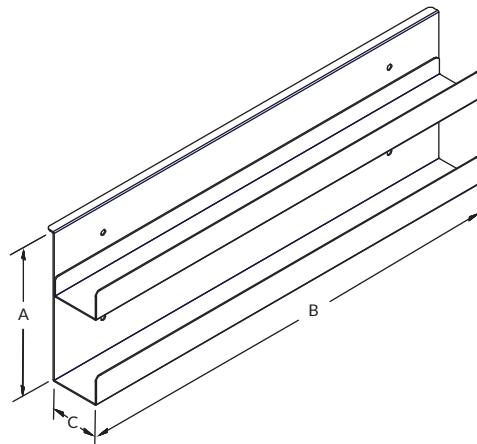
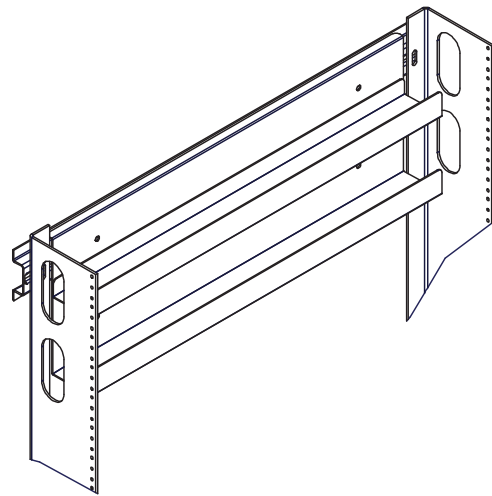


### Features:

- Provides support for cables routed front to back of cabinet through access holes in mounting angles
- Durable textured powder coated finish
- Standard colour is all black

### Highlights:

- Heavy gauge steel
- For use in RFM Series 30" wide cabinets
- Mounts on cross members



PART NUMBER	A	B	C	FITS OUR...
RFM-FTB-CT-BA	7.875	23.50	2.60	30"W CABINETS