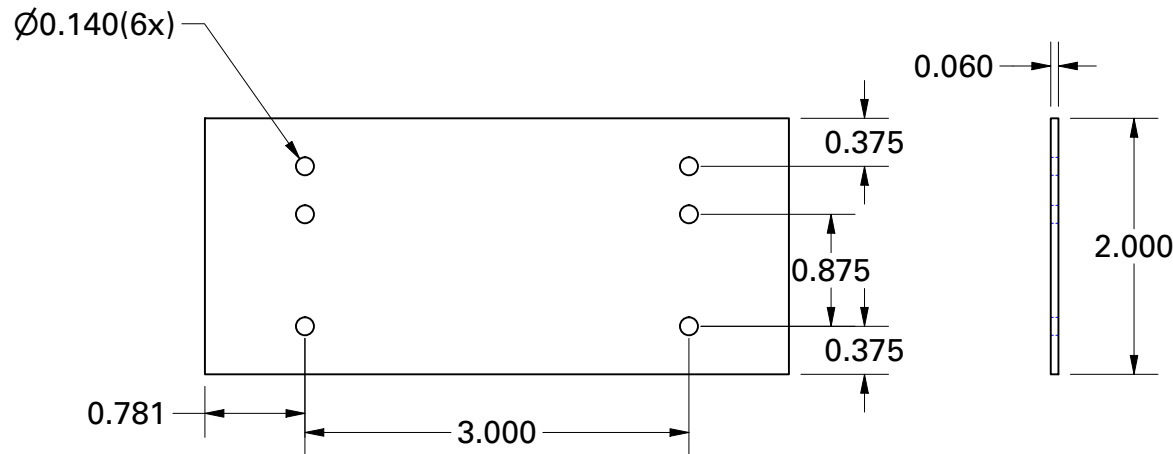
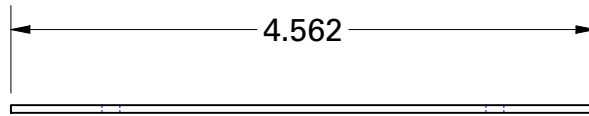
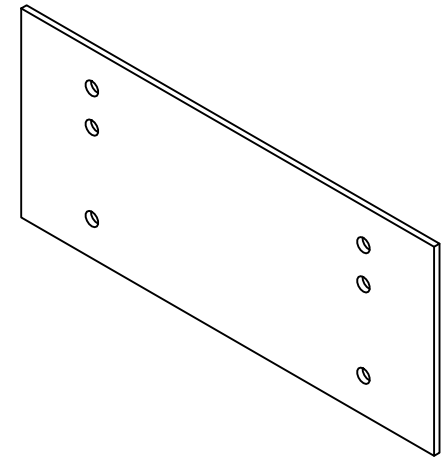


ITEM SOLD AS A PAIR. (2x PCS)
 (COMES WITH 8x #8 SELF TAPPING SCREWS (AL4-016))



R.F. MOTE
 A division of Chatsworth Products

214 NEWKIRK RD.
 RICHMOND HILL, ONTARIO
 L4C 3G7
 PHONE (905) 884-5250
 FAX (905) 737-5188

TOLERANCES FRAC. ± 1/16" ANGLE ± 1.0° HOLES ± 0.003" 0.000 ± 0.015"	DESCRIPTION OVERHEAD HORIZONTAL CABLE TROUGH JOINER		
	PART NUMBER RFM2-HCTJ-0		
	DATE 02-Feb-24	MASS 0.15 lb	REV 01
	AUTHOR gillison j	SHEET 1 OF 1	

The information contained herewithin is proprietary and confidential to R.F.MOTE LTD. It may not be reproduced or further disseminated, in whole or in part, without prior written consent from R.F.MOTE LTD.