

# R.F. MOTE

A division of Chatsworth Products

Your Technology Platform, Protected

## *Cabinets, Racks, and Accessories*

Product Listing



## INDEX

## Page

### **SECTION ONE: CABINETS & ACCESSORIES**

PRE CONFIGURED (KITTED) RFM SERIES 30 & 24 CABINETS	1.2.1 ~ 1.2.4
RFM SERIES CO-LOCATION CABINET	1.2.7
CABINET EXTENDERS: 6"Depth & 15"Depth	1.2.8
HIGH DENSITY NETWORKING CABINETS 36"W & 46"W	1.2.9 ~ 1.2.10
RFM SERIES 30 & 24 CABINET FRAMES	1.3.1 ~ 1.3.2
CABINET DOORS: Acrylic, Perforated, Solid, Split, Exhaust	1.3.3 ~ 1.3.4
CABINET SIDE PANELS: Solid & Perforated	1.4.1
EIA MOUNTING ANGLES	1.5.1
VERTICAL CABLE MANAGERS, TROUGHS, & LADDERS	1.5.3 ~ 1.5.11
GROUNDING BARS: Vertical & Horizontal	1.5.8
CABINET SHELVES: 4-Point Mounting	1.6.2
CABLE TROUGHS: Overhead & Front to Back Mount	1.7.1 ~ 1.7.2
WIRING STACKS: For Cabinets	1.7.3
FLOOR PLATES: Solid & Vented	1.8.1
TOP OF CABINET CABLE ENTRY: BRUSH KIT & WATER FALL	1.8.2
ELECTRONIC LOCKS & COMBO LOCKS	1.8.3

### **SECTION TWO: CABINET COOLING SOLUTIONS**

4" EXHAUST FAN & 10" EXHAUST FAN For Cabinets	2.1.1
THERMAL MANAGEMENT: Ducted Solutions	2.1.2
EXHAUST DUCT: Transitional & Height Adjustable	2.1.3
EXHAUST FANS: High Volume	2.1.4
AIR STOP KITS: for RFM Series 30 & 24 Cabinets	2.1.5
AISLE CONTAINMENT, CEILING PANELS & END OF ROW DOORS	2.1.7

### **SECTION THREE: WALLMOUNT CABINETS & RACKS**

30" WIDE WALL MOUNT CABINETS & WMC VERTICAL CMS	3.1.1
LOW PROFILE WALL MOUNT CABINETS	3.1.2
WALL MOUNT SWING OUT RACK: 44U + 18U Height	3.1.3
WALL MOUNT FIXED RACK: 18U Height	3.1.4
WALL MOUNT BRACKETS & CEILING MOUNT BRACKETS	3.1.5

### **SECTION FOUR: FLOOR MOUNT RACKS & ACCESSORIES**

TWO POST RACK: Tapped, Cage nut, Tapped Both sides	4.1.1
FOUR POST RACK KIT	4.1.2
HEAVY DUTY RACK KIT	4.1.3
RACK DOOR	4.1.4
RACK MOUNT SECURITY DOOR (fits our Racks and Cabinets)	4.1.5
RACK CABLE MANAGERS	4.1.6
HIGH DENSITY CABLE MANAGER FINGERED	4.1.7 ~ 4.1.8
OVERHEAD HORIZ CABLE TROUGH FOR RACKS	4.1.10
HORIZ CABLE TROUGH: Front To Back	4.1.11
RACK SHELF: 2 Point Rack Mounting (Front mount, Centre mount, Retractable, Keyboard)	4.1.12 ~ 4.1.13

### **SECTION FIVE: HORIZONTAL CABLE MANAGEMENT**

HORIZONTAL CABLE MANAGER: Standard, Extra Deep, & Zero-U model	5.1.1
HORIZ. CABLE MGR Finger style & High density, Fingered, Adjustable	5.1.2

### **SECTION SIX: OPTIONAL ACCESSORIES**

POWER BARS: Vertical, Horizontal, & Current Monitoring	6.1.1
GROUNDING KIT & JUMPER KIT	6.1.3
CABLE SPOOL, D-RING, and CABLE SEGREGATION KIT	6.2.1
BLANKING PLATES: Steel & Tool-Less Composite	6.2.2
REDUCER PLATES	6.2.3
SERVER SUPPORT BRACKETS	6.2.4
CONSOLIDATION BOX	6.2.5
PDU BRACKETS: 83"H & 90"H Available	6.2.6
AIR FILTERS: 4" FAN & LOUVERED DOORS	6.2.7

## RFM SERIES KITTED 30 UNIVERSAL CABINET



R. F. Mote Series 30 Universal Kitted Cabinets (30" Wide) standard configuration includes: 1 smoked acrylic insert<sup>1</sup> door, 1 louvered door, 2 side panels, 1 pair mounting rails (tapped #10-32), levelling feet, removable top cover panel, and hardware package.

Each cabinet may be configured with a wide variety of options e.g.: thermal management (fans, chimney ducts, air stops, brushes), power bars, ground bars, cable troughs, vertical and horizontal cable mangers, shelves, perforated side panels, and electronic door locks. Optional accessories can be factory installed in configurations best suited to their end use, or ordered separately and installed by the customer.

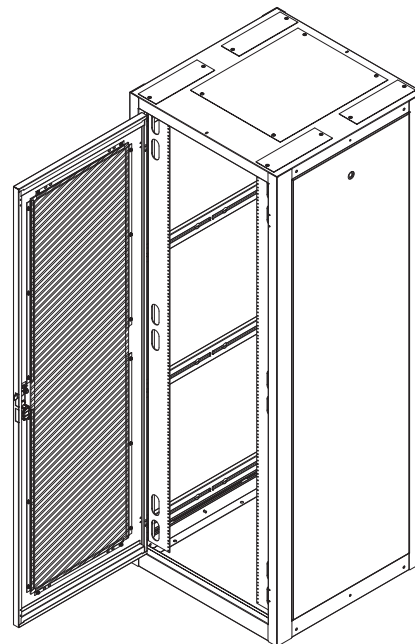
### Features:

- Heavy gauge steel, all welded construction
- UL 2416 Listed
- UL Rated for up to 3000 lbs Static Load
- Standard Heights: 35" / 59" / 72" / 83" / 90"
- Standard Depths: 30" / 36" / 42" / 48"
- Standard Widths: 24" / 30" / 36" / 46"
- Available in 19", 23", or 24" EIA universal spacing
- Doors are lockable and lift off
- Smoked acrylic insert<sup>1</sup> front door / Louvered rear door
- Solid side panels (also available perforated)
- 1 Pair Mounting angles, 19" EIA (Standard), tapped #10-32
- Provisions for cable access provided in top of cabinet
- Removable top cover panel
- Open base for cable access
- 4 Grounding points
  - 2 in top (#10-32 x 1/2" stud)
  - 2 in base (1/4-20 x 3/4" stud)
- Adjustable levelling feet
- Hardware package (qty 24, #10-32 screws)
- Easy ganging capabilities
- Standard colour is textured black powdercoat
- Custom colours (e.g. RAL 7035) also available

<sup>1</sup>inserts are UL 94 Fire Rated

### 30" Wide Kitted Cabinet - 19" EIA Mount

Part number	Width	Depth	Height	#of U's
RFM-304890-U-19	30.150	48.150	90.00	48U
RFM-304883-U-19	30.150	48.150	83.00	44U
RFM-304290-U-19	30.150	42.150	90.00	48U
RFM-304283-U-19	30.150	42.150	83.00	44U
RFM-304272-U-19	30.150	42.150	72.00	38U
RFM-304259-U-19	30.150	42.150	59.00	30U
RFM-304235-U-19	30.150	42.150	35.00	17U
RFM-303690-U-19	30.150	36.150	90.00	48U
RFM-303683-U-19	30.150	36.150	83.00	44U
RFM-303672-U-19	30.150	36.150	72.00	38U
RFM-303659-U-19	30.150	36.150	59.00	30U
RFM-303635-U-19	30.150	36.150	35.00	17U
RFM-303083-U-19	30.150	30.150	83.00	44U
RFM-303072-U-19	30.150	30.150	72.00	38U
RFM-303059-U-19	30.150	30.150	59.00	30U
RFM-303035-U-19	30.150	30.150	35.00	17U
RFM-302483-U-19	30.150	24.150	83.00	44U
RFM-302472-U-19	30.150	24.150	72.00	38U
RFM-302459-U-19	30.150	24.150	59.00	30U
RFM-302435-U-19	30.150	24.150	35.00	17U



Note<sup>1</sup>: 23" and 24" EIA Mount also avail for 30" wide cabinet

Note<sup>2</sup>: Ganging version is avail. Shipped less the side panels and c/w ganging kit - add suffix "-G" to part number.  
e.g. RFM-303083-U-19-G

## RFM SERIES KITTED 24 UNIVERSAL CABINET



R. F. Mote Series 24 Universal Kitted Cabinets (24" Wide) standard configuration includes: 1 smoked acrylic insert<sup>1</sup> door, 1 louvered door, 2 side panels, 1 pair mounting rails (tapped #10-32), levelling feet, removable top cover panel, and hardware package.

Each cabinet may be configured with a wide variety of options e.g.: Thermal management (fans, chimney ducts, air stops, brushes), power bars, ground bars, cable troughs, vertical and horizontal cable mangers, shelves, perforated side panels, and electronic door locks. Optional accessories can be factory installed in configurations best suited to their end use, or ordered separately and installed by the customer.

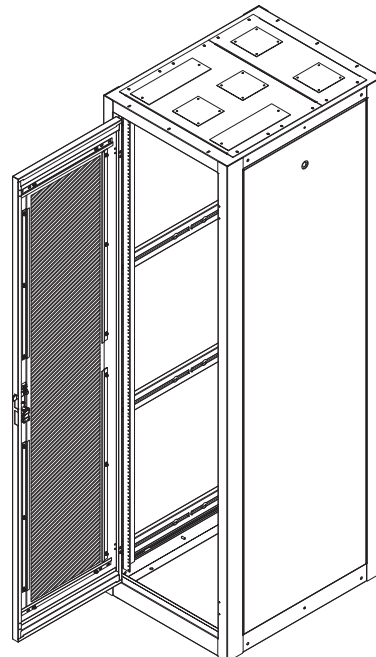
### Features:

- Heavy gauge steel, all welded construction
- UL 2416 Listed
- UL Rated for up to 3000 lbs Static Load
- Standard Heights: 35" / 59" / 72" / 83" / 90"
- Standard Depths: 30" / 36" / 42" / 48"
- Standard Width: 24"
- Available in 19" EIA universal spacing
- Doors are lockable and lift off
- Smoked acrylic insert<sup>1</sup> front door / Louvered rear door
- Solid side panels (also available perforated)
- 1 Pair Mounting angles, 19" EIA (standard), tapped #10-32
- Provisions for cable access provided in top of cabinet
- Removable top cover panel
- Open base for cable access
- 4 Grounding points
  - 2 in top (#10-32 x 1/2" stud)
  - 2 in base (1/4-20 x 3/4" stud)
- Adjustable levelling feet
- Hardware package (qty 24, #10-32 screws)
- Easy ganging capabilities
- Standard colour is textured black powdercoat
- Custom colours (e.g. RAL 7035) also available

<sup>1</sup> inserts are UL 94 Fire Rated

### 24" Wide Cabinet - 19" EIA Mount

Part number	Width	Depth	Height	#of U's
RFM-244890-U-19	24.00	48.150	90.00	48U
RFM-244883-U-19	24.00	48.150	83.00	44U
RFM-244290-U-19	24.00	42.150	90.00	48U
RFM-244283-U-19	24.00	42.150	83.00	44U
RFM-244272-U-19	24.00	42.150	72.00	38U
RFM-244259-U-19	24.00	42.150	59.00	30U
RFM-244235-U-19	24.00	42.150	35.00	17U
RFM-243690-U-19	24.00	36.150	90.00	48U
RFM-243683-U-19	24.00	36.150	83.00	44U
RFM-243672-U-19	24.00	36.150	72.00	38U
RFM-243659-U-19	24.00	36.150	59.00	30U
RFM-243635-U-19	24.00	36.150	35.00	17U
RFM-243083-U-19	24.00	30.150	83.00	44U
RFM-243072-U-19	24.00	30.150	72.00	38U
RFM-243059-U-19	24.00	30.150	59.00	30U
RFM-243035-U-19	24.00	30.150	35.00	17U
RFM-242483-U-19	24.00	24.150	83.00	44U
RFM-242472-U-19	24.00	24.150	72.00	38U
RFM-242459-U-19	24.00	24.150	59.00	30U
RFM-242435-U-19	24.00	24.150	35.00	17U



Note<sup>1</sup>: Ganging version is available. Shipped less the side panels and c/w ganging kit - add suffix '-G' to part number. e.g. RFM-243083-U-19-G

## RFM SERIES KITTED SERVER CABINET

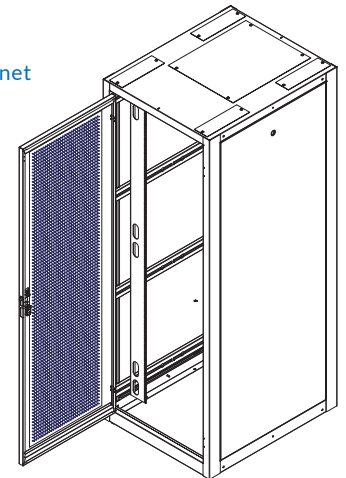


R. F. Mote Series Server Kitted Cabinets available 30" and 24" Wide. Standard kitted Server cabinets include: 2 Perforated doors, 2 side panels, 2 pair cage-nut style mounting rails, levelling feet, removable top cover panel, and hardware package.

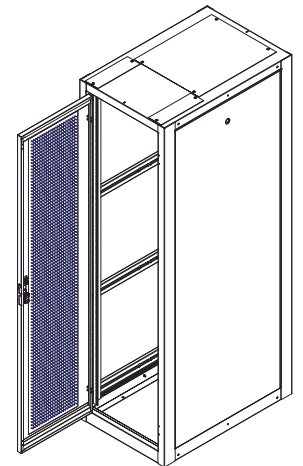
Each cabinet may be configured with a wide variety of options such as: Power bars, ground bars, fan assemblies, chimney ducts, air stops, brush kits, cable troughs, vertical and horizontal cable managers, shelves, electronic door locks, and perforated side panels. Optional accessories can be factory installed in configurations best suited to their end use, or ordered separately and installed by the customer.

### Features:

- Heavy gauge steel, all welded construction
- UL 2416 Listed
- UL Rated for up to 3000 lbs Static Load
- Standard Heights: 35" / 59" / 72" / 83" / 90"
- Standard Depths: 30" / 36" / 42" / 48"
- Standard Widths: 24" / 30"
- Standard 19" EIA universal spacing (23" & 24" EIA universal spacing also available for 30" wide cabinets)
- Doors are perforated, lockable, and removable
- Doors: Electronic and Combination lock options avail
- Solid side panels (also available perforated)
- 2 Pair Mounting angles (punched to 19" EIA standard spacing for cage nuts)
- Provisions for cable access provided in top of cabinet
- Removable top cover panel
- Open base for cable access
- 4 Grounding points
  - 2 in top (#10-32 x 1/2" stud)
  - 2 in base (1/4-20 x 3/4" stud)
- Adjustable levelling feet
- Hardware package (qty 24, 1/4-20 cage nuts and screws)
- Easy ganging capabilities
- Standard colour is textured black powdercoat
- Custom colours (e.g. RAL 7035) also available



30" wide cabinet – 19" EIA Mount



24" wide cabinet – 19" EIA Mount

### 30" Wide Cabinet – 19" EIA Mount

Part number	Width	Depth	Height	#of U's
RFM-304890-US-19	30.150	48.150	90.00	48U
RFM-304883-US-19	30.150	48.150	83.00	44U
RFM-304290-US-19	30.150	42.150	90.00	48U
RFM-304283-US-19	30.150	42.150	83.00	44U
RFM-304272-US-19	30.150	42.150	72.00	38U
RFM-304259-US-19	30.150	42.150	59.00	30U
RFM-304235-US-19	30.150	42.150	35.00	17U
RFM-303690-US-19	30.150	36.150	90.00	48U
RFM-303683-US-19	30.150	36.150	83.00	44U
RFM-303672-US-19	30.150	36.150	72.00	38U
RFM-303659-US-19	30.150	36.150	59.00	30U
RFM-303635-US-19	30.150	36.150	35.00	17U
RFM-303090-US-19	30.150	30.150	90.00	48U
RFM-303083-US-19	30.150	30.150	83.00	44U
RFM-303072-US-19	30.150	30.150	72.00	38U
RFM-303059-US-19	30.150	30.150	59.00	30U
RFM-303035-US-19	30.150	30.150	35.00	17U
RFM-302483-US-19	30.150	24.150	83.00	44U
RFM-302472-US-19	30.150	24.150	72.00	38U
RFM-302459-US-19	30.150	24.150	59.00	30U
RFM-302435-US-19	30.150	24.150	35.00	17U

### 24" Wide Cabinet – 19" EIA Mount

Part number	Width	Depth	Height	#of U's
RFM-244890-US-19	24.00	48.150	90.00	48U
RFM-244883-US-19	24.00	48.150	83.00	44U
RFM-244290-US-19	24.00	42.150	90.00	48U
RFM-244283-US-19	24.00	42.150	83.00	44U
RFM-244272-US-19	24.00	42.150	72.00	38U
RFM-244259-US-19	24.00	42.150	59.00	30U
RFM-244235-US-19	24.00	42.150	35.00	17U
RFM-243690-US-19	24.00	36.150	90.00	48U
RFM-243683-US-19	24.00	36.150	83.00	44U
RFM-243672-US-19	24.00	36.150	72.00	38U
RFM-243659-US-19	24.00	36.150	59.00	30U
RFM-243635-US-19	24.00	36.150	35.00	17U
RFM-243090-US-19	24.00	30.150	90.00	48U
RFM-243083-US-19	24.00	30.150	83.00	44U
RFM-243072-US-19	24.00	30.150	72.00	38U
RFM-243059-US-19	24.00	30.150	59.00	30U
RFM-243035-US-19	24.00	30.150	35.00	17U
RFM-242483-US-19	24.00	24.150	83.00	44U
RFM-242472-US-19	24.00	24.150	72.00	38U
RFM-242459-US-19	24.00	24.150	59.00	30U
RFM-242435-US-19	24.00	24.150	35.00	17U

Note<sup>1</sup>: 23" and 24" EIA mount also available for 30" wide cabinet

Note<sup>2</sup>: Ganging version is avail. Shipped less the side panels and c/w ganging kit - add suffix '-G' to part number. e.g. RFM-303683-US-19-G

## RFM SERIES KITTED SERVER CABINET - PERFORATED SIDES

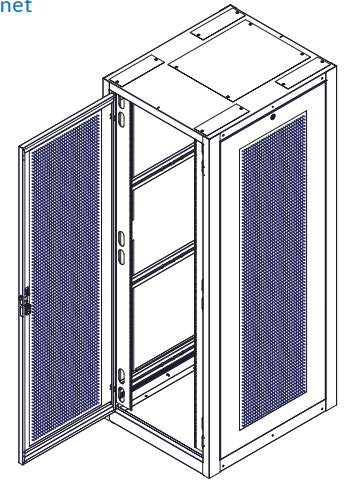


R. F. Mote Series Server Kitted Cabinets available 30" and 24" wide. Standard kitted Server cabinets include: 2 Perforated doors, 2 perforated side panels, 2 pair cage-nut style mounting rails, levelling feet, removable top cover panel, and hardware package.

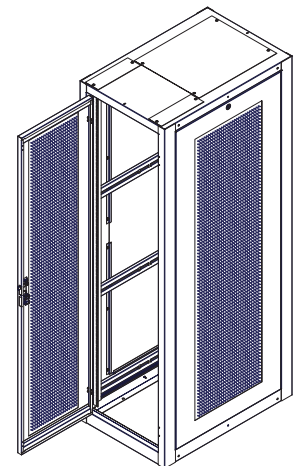
Each cabinet may be configured with a wide variety of options e.g.: Power bars, ground bars, fan assemblies, chimney ducts, air stops, brush kits, cable troughs, vertical and horizontal cable mangers, shelves, and electronic door locks. Optional accessories can be factory installed in configurations best suited to their end use, or ordered separately and installed by the customer.

### Features:

- Heavy gauge steel, all welded construction
- UL 2416 Listed
- UL Rated for up to 3000 lbs Static Load
- Standard Heights: 35" / 59" / 72" / 83" / 90"
- Standard Depths: 24" / 30" / 36" / 42" / 48"
- Standard Widths: 24" / 30"
- Doors are perforated, lockable, and removable
- Doors: Electronic and Combination lock options available
- Perforated side panels (also available solid)
- 2 Pair Mounting angles, punched to 19" EIA universal spacing for cage nuts
- Provisions for cable access provided in top of cabinet
- Removable top cover panel
- Open base for cable access
- 4 grounding points
- Adjustable levelling feet
- Hardware package (qty 24, 1/4-20 cage nuts and screws)
- Easy ganging capabilities
- Standard colour is textured black powdercoat
- Custom colours (e.g. RAL 7035) also available



30"wide cabinet – 19" EIA Mount



24"wide cabinet – 19" EIA Mount

### 30" Wide Cabinet – 19" EIA Mount

Part number	Width	Depth	Height	# of U's
RFM-304890-US-19-P	30.150	48.150	90.00	48U
RFM-304883-US-19-P	30.150	48.150	83.00	44U
RFM-304290-US-19-P	30.150	42.150	90.00	48U
RFM-304283-US-19-P	30.150	42.150	83.00	44U
RFM-304272-US-19-P	30.150	42.150	72.00	38U
RFM-304259-US-19-P	30.150	42.150	59.00	30U
RFM-304235-US-19-P	30.150	42.150	35.00	17U
RFM-303690-US-19-P	30.150	36.150	90.00	48U
RFM-303683-US-19-P	30.150	36.150	83.00	44U
RFM-303672-US-19-P	30.150	36.150	72.00	38U
RFM-303659-US-19-P	30.150	36.150	59.00	30U
RFM-303635-US-19-P	30.150	36.150	35.00	17U
RFM-303083-US-19-P	30.150	30.150	83.00	44U
RFM-303072-US-19-P	30.150	30.150	72.00	38U
RFM-303059-US-19-P	30.150	30.150	59.00	30U
RFM-303035-US-19-P	30.150	30.150	35.00	17U
RFM-302483-US-19-P	30.150	24.150	83.00	44U
RFM-302472-US-19-P	30.150	24.150	72.00	38U
RFM-302459-US-19-P	30.150	24.150	59.00	30U
RFM-302435-US-19-P	30.150	24.150	35.00	17U

Note<sup>1</sup>: 23" and 24" EIA mount also available for 30"wide cabinet

### 24" Wide Cabinet – 19" EIA Mount

Part number	Width	Depth	Height	# of U's
RFM-244890-US-19-P	24.00	48.150	90.00	48U
RFM-244883-US-19-P	24.00	48.150	83.00	44U
RFM-244290-US-19-P	24.00	42.150	90.00	48U
RFM-244883-US-19-P	24.00	48.150	83.00	44U
RFM-244272-US-19-P	24.00	42.150	72.00	38U
RFM-244259-US-19-P	24.00	42.150	59.00	30U
RFM-244235-US-19-P	24.00	42.150	35.00	17U
RFM-243690-US-19-P	24.00	36.150	90.00	48U
RFM-243683-US-19-P	24.00	36.150	83.00	44U
RFM-243672-US-19-P	24.00	36.150	72.00	38U
RFM-243659-US-19-P	24.00	36.150	59.00	30U
RFM-243635-US-19-P	24.00	36.150	35.00	17U
RFM-243083-US-19-P	24.00	30.150	83.00	44U
RFM-243072-US-19-P	24.00	30.150	72.00	38U
RFM-243059-US-19-P	24.00	30.150	59.00	30U
RFM-243035-US-19-P	24.00	30.150	35.00	17U
RFM-242483-US-19-P	24.00	24.150	83.00	44U
RFM-242472-US-19-P	24.00	24.150	72.00	38U
RFM-242459-US-19-P	24.00	24.150	59.00	30U
RFM-242435-US-19-P	24.00	24.150	35.00	17U

Note<sup>2</sup>: Ganging version is avail. Shipped less the side panels and c/w ganging kit - add suffix '-G' to part number. e.g. RFM-303683-US-19-P-G

## RFM SERIES CO-LOCATION CABINET



R. F. Mote Co-Location Cabinets, available in 2, 3, or 4 Compartment Configurations, allow for Multiple Tenants to occupy the same cabinet, while maintaining a degree of security. Each compartment comes standard with secure cable management, as well as 4 adjustable 19" EIA mounting angles.

### Features:

- Lockable, Perforated Front and Rear doors
- All doors c/w swing handle combination lock (with key override)
- 2 Solid, lockable, lift off side panels
- 4 x 19" EIA adjustable mounting rails are provided for each compartment
- Hardware package provided for each compartment (1/4-20 Cage nuts and screws, pkg 12)
- Secure vertical cable management for each compartment
- Top c/w perforated cover
- 4 Grounding points
  - 2 in top (#10-32 x 1/2" stud)
  - 2 in base (1/4-20 x 1/2" stud)
- Top c/w cable access openings (cover plates provided)
- Adjustable levelling feet
- Durable textured powder coated finish
- Standard colour is all black
- Custom colours and sizes available upon request

### Highlights:

- Heavy gauge steel
- All welded construction
- Compartment divider is load bearing
- Doors lift off for ease of equipment and cable installation
- RFM-COLO-219 features field reversible cabinet doors; Hinge kit required
- Optional cooling fan kits available
- Electronic locking option
- Open base
- Load capacity : up to 2500 lbs

### Co-Location Cabinet – 24" Width

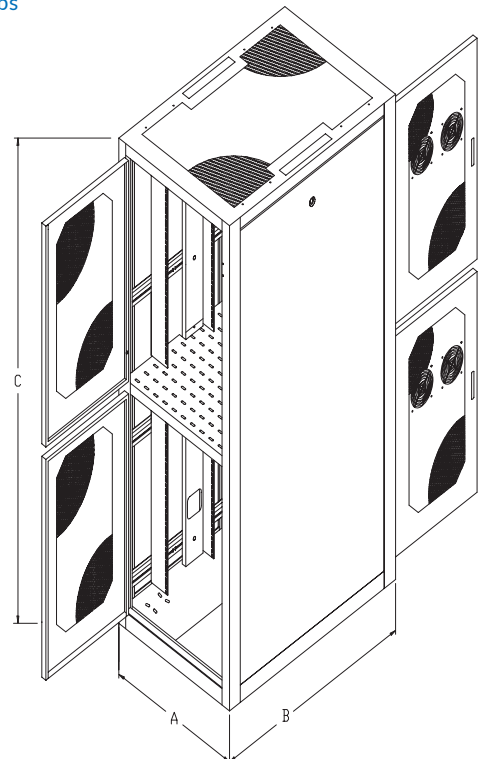
	Part number	A	B	C	# of U's
2 COMPARTMENT	RFM-COLO-219	24.00	36.150	83.00	21U EA
3 COMPARTMENT	RFM-COLO-319	24.00	36.150	83.00	13U EA
4 COMPARTMENT	RFM-COLO-419	24.00	36.150	83.00	10U EA
2 COMPARTMENT	RFM-COLO-219-2442	24.00	42.150	83.00	21U EA
3 COMPARTMENT	RFM-COLO-319-2442	24.00	42.150	83.00	13U EA
4 COMPARTMENT	RFM-COLO-419-2442	24.00	42.150	83.00	10U EA

### Co-Location Cabinet – 30" Width

	Part number	A	B	C	# of U's
2 COMPARTMENT	RFM-COLO-219-3036	30.00	36.150	83.00	21U EA
3 COMPARTMENT	RFM-COLO-319-3036	30.00	36.150	83.00	13U EA
4 COMPARTMENT	RFM-COLO-419-3036	30.00	36.150	83.00	10U EA
2 COMPARTMENT	RFM-COLO-219-3042	30.00	42.150	83.00	21U EA
3 COMPARTMENT	RFM-COLO-319-3042	30.00	42.150	83.00	13U EA
4 COMPARTMENT	RFM-COLO-419-3042	30.00	42.150	83.00	10U EA

### Optional cooling fans

Fits with...	Part number
ALL CO-LOCATION CABINETS	RFM-COLO-FAN



RFM-COLO-219 (note: optional floor plate, also shown, must be ordered separately)

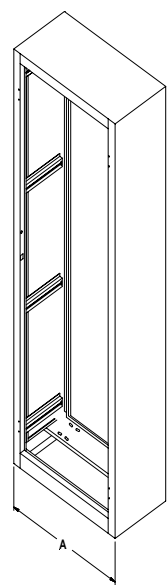
## CABINET EXTENSION: 6" AND 15" DEPTH



R. F. Mote Cabinet extenders provide a solution where an existing installed cabinet is not deep enough for new equipment. Available in 6" or 15" depth. Adds an additional 6" depth (6" Extender) or 15" depth (15" Extender) to existing cabinet depth. Optional, lockable, lift-off, side panels available for 15" Extender. Non-removable solid sides standard for 6" Extender.

**Features:**

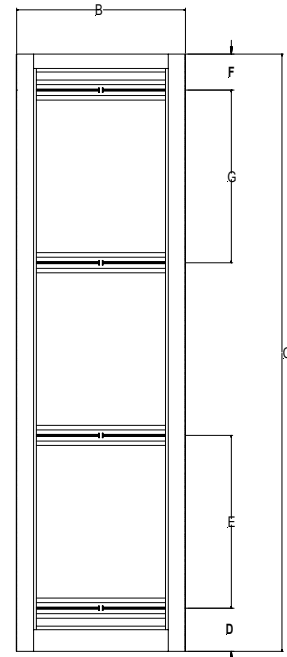
- Heavy gauge steel
- All welded construction
- Easily bolts onto any 83" (44U) R.F. Mote Series 30 or Series 24 Cabinet
- Conveniently add 6" or 15" in depth
- Allows customer to increase existing cabinet depth without removing equipment
- Eliminates the need for a new cabinet
- Optional, solid, lockable, lift off side panels available for 15" extension
- non-removable sides standard on 6" extension
- Adjustable levelling feet
- Durable textured powder coated finish
- Standard colour is all black
- Custom sizes available upon request



RFM-300683-EXT



RFM-301583-EXT



Typical side-view

**Cabinet Extender (for 30" Wide RFM Series Cabinets)**

Part number	A	B	C	D	E	F	G
RFM-301583-EXT	30.150	15.150	83.00	6.00	24.00	5.00	24.00
RFM-300683-EXT	30.150	6.150	83.00	6.00	24.00	5.00	24.00

**Cabinet Extender (for 24" Wide RFM Series Cabinets)**

Part number	A	B	C	D	E	F	G
RFM-241583-EXT	24.00	15.150	83.00	6.00	24.00	5.00	24.00
RFM-240683-EXT	24.00	6.150	83.00	6.00	24.00	5.00	24.00

**Optional side panel**

PART NUMBER	FITS WITH OUR...
RFM-1583-4	RFM-301583-EXT
RFM-1583-4	RFM-241583-EXT



## RFM SERIES HIGH DENSITY NETWORKING CABINET: 36"W



R. F. Mote Series High Density Networking Cabinets include: 2 perforated doors, 2 side panels, 2 pair cage-nut style mounting rails, levelling feet, top cover plates, and hardware package. An extra wide footprint provides added space for managing large volume of cabling required in high density environments.

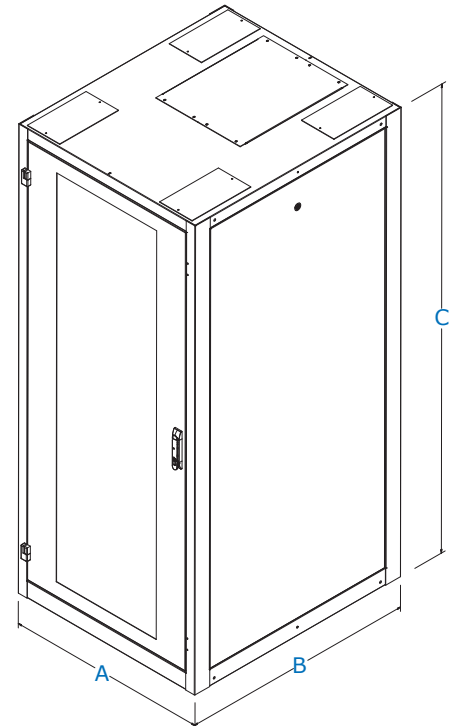
Each cabinet may be configured with a wide variety of options such as: power bars, ground bars, fan assemblies, chimney ducts, air stops, brush kits, cable troughs, high density vertical and horizontal cable mangers, shelves, electronic door locks, and perforated side panels. Optional accessories can be factory installed in configurations best suited to their end use, or ordered separately and installed by the customer.

### Features:

- Lockable perforated front and rear doors
- Doors: Electronic and Combination lock options available
- 2 Solid, lockable, lift off side panels
- 2 Pair mounting rails, standard 19" EIA universal spacing for cage nuts
- Hardware package (24 pcs. x 1/4-20 Cage nuts and screws)
- Top c/w cable access openings (cover plates provided)
- Adjustable levelling feet
- UL 2416 Listed
- UL Rated for up to 3000 lbs Static load
- 4 Grounding points
  - 2 in top (#10-32 x 1/2" stud)
  - 2 in base (1/4-20 x 1/2" stud)
- Durable textured powder coated finish
- Standard colour is *textured black powdercoat*
- Custom colours (e.g. RAL 7035) also available

### Highlights:

- Heavy gauge steel
- All welded construction
- Provisions for fans and cable access
- Cabinet doors are field reversible; hinge kit req'd



### 36" Wide Cabinet

	Part number	A	B	C	#of U's
19" MOUNT	RFM-364283-UN-19	36.150	42.150	83.00	44U
	RFM-364290-UN-19	36.150	42.150	90.00	48U
	RFM-364883-UN-19	36.150	48.150	83.00	44U
	RFM-364890-UN-19	36.150	48.150	90.00	48U

Note: **Ganging version is available.** Shipped less the side panels and c/w ganging kit - add suffix '-G' to part number. e.g. RFM-364890-UN-19-G

Note?: See catalogue page 1.5.10 for cable management for high density networking cabinets

## RFM SERIES HIGH DENSITY NETWORKING CABINET: 46"W



R. F. Mote Series High Density Networking Cabinets include: Split perforated doors (front and back), 2 side panels, 2 pair cage-nut style mounting rails, levelling feet, top cover plates, and hardware package. An Extra wide footprint provides extra space for managing large volume of cabling required in high density environments.

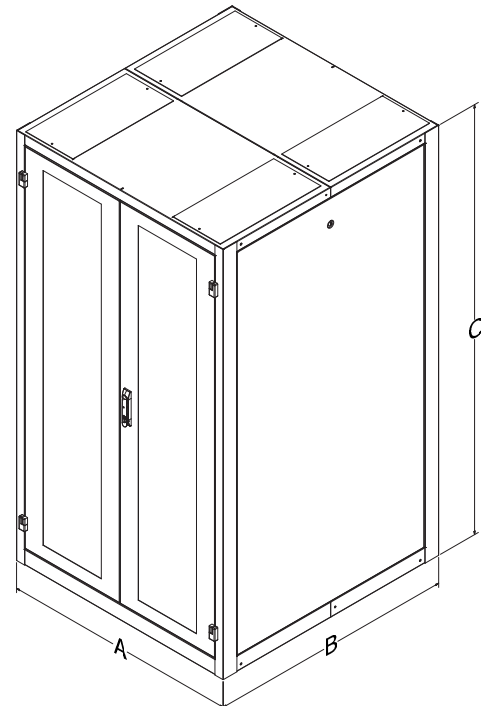
Each cabinet may be configured with a wide variety of options such as: power bars, ground bars, fan assemblies, chimney ducts, air stops, brush kits, cable troughs, high density vertical and horizontal cable managers, shelves, electronic door locks, and perforated side panels. Optional accessories can be factory installed in configurations best suited to their end use, or ordered separately and installed by the customer.

### Features:

- 3-point lockable perforated split front and rear doors
- Doors: Electronic and Combination lock options available
- 2 Solid, lockable, lift off side panels
- 2 Pair mounting rails, standard 19" EIA universal spacing for cage nuts
- 4 Grounding points
  - 2 in top (#10-32 x 1/2" stud)
  - 2 in base (1/4-20 x 1/2" stud)
- Top c/w cable access openings (cover plates provided)
- Hardware pkg. (24 pcs. x 1/4-20 Cage nuts and screws)
- Adjustable levelling feet
- Durable textured powder coated finish
- Standard colour is all black
- Custom colours and sizes available upon request

### Highlights:

- Heavy gauge steel
- All welded construction
- Provisions for fans and cable access
- Cable managers and mounting rails are independently movable /adjustable



### 46" Wide Cabinet

	Part number	A	B	C	#of U's
19" MOUNT	RFM-464283-UN-19	46.150	42.150	83.00	44U
	RFM-464290-UN-19	46.150	42.150	90.00	48U
	RFM-464883-UN-19	46.150	48.150	83.00	44U
	RFM-464890-UN-19	46.150	48.150	90.00	48U

Note: Ganging version is available. Shipped less the side panels and c/w ganging kit - add suffix '-G' to part number. e.g. RFM-464890-UN-19-G

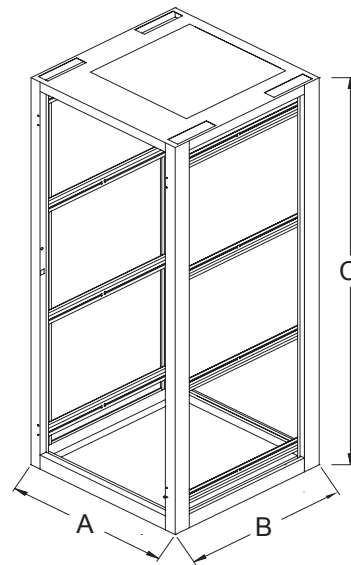
Note<sup>2</sup>: See catalogue page 1.5.10 for cable management for high density networking cabinets

## RFM SERIES 30 CABINET FRAMES



**Features:**

- Heavy gauge steel, all welded construction
- UL 2416 Listed
- UL Rated for up to 3000 lbs Static Load
- 30" Wide Frame
- Various Heights: 35" / 59" / 72" / 83" / 90"
- Various Depths: 24" / 30" / 36" / 42" / 48"
- Multiple cable access/fan openings provided in top of cabinet
- Open base for cable access
- 4 Grounding points
  - 2 in top (#10-32 x 1/2" stud)
  - 2 in base (1/4-20 x 1/2" stud)
- Adjustable levelling feet
- Easy ganging capabilities
- Standard colour is *textured black powdercoat*
- Custom colours (e.g. RAL 7035) also available



### 48" Depth Cabinet Frame

Part Number	A	B	C	# of U's
RFM-304890	30.150	48.150	90.00	48U
RFM-304883	30.150	48.150	83.00	44U
RFM-304872	30.150	48.150	72.00	38U
RFM-304859	30.150	48.150	83.00	30U
RFM-304835	30.150	48.150	72.00	17U

### 42" Depth Cabinet Frame

Part Number	A	B	C	# of U's
RFM-304290	30.150	42.150	90.00	48U
RFM-304283	30.150	42.150	83.00	44U
RFM-304272	30.150	42.150	72.00	38U
RFM-304259	30.150	42.150	59.00	30U
RFM-304235	30.150	42.150	35.00	17U

### 36" Depth Cabinet Frame

Part Number	A	B	C	# of U's
RFM-303690	30.150	36.150	90.00	48U
RFM-303683	30.150	36.150	83.00	44U
RFM-303672	30.150	36.150	72.00	38U
RFM-303659	30.150	36.150	59.00	30U
RFM-303635	30.150	36.150	35.00	17U

### 30" Depth Cabinet Frame

Part Number	A	B	C	# of U's
RFM-303090	30.150	30.150	90.00	48U
RFM-303083	30.150	30.150	83.00	44U
RFM-303072	30.150	30.150	72.00	38U
RFM-303059	30.150	30.150	59.00	30U
RFM-303035	30.150	30.150	35.00	17U

### 24" Depth Cabinet Frame

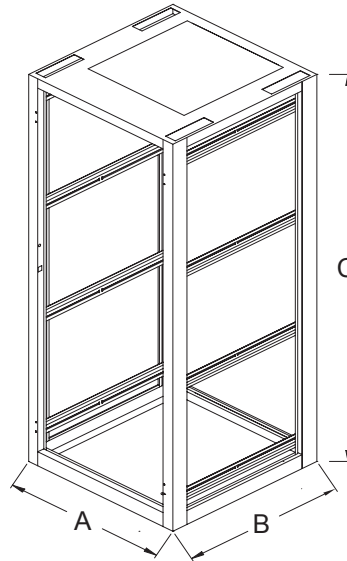
Part Number	A	B	C	# of U's
RFM-302483	30.150	24.150	83.00	44U
RFM-302472	30.150	24.150	72.00	38U
RFM-302459	30.150	24.150	59.00	30U
RFM-302435	30.150	24.150	35.00	17U

## RFM SERIES 24 CABINET FRAMES

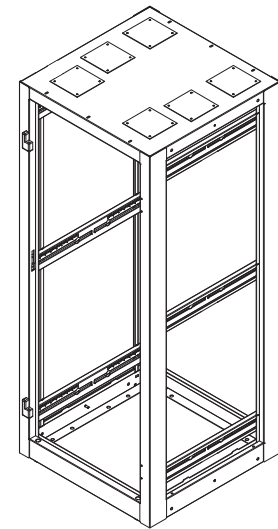


**Features:**

- Heavy gauge steel, all welded construction
- UL 2416 Listed
- UL Rated for up to 3000 lbs Static Load
- 24" Wide Frame
- Various Heights: 35" / 59" / 72" / 83" / 90"
- Various Depths: 24" / 30" / 36" / 42" / 48"
- Multiple cable access/fan openings provided in top of cabinet
- Open base for cable access
- 4 Grounding points
  - 2 in top (#10-32 x 1/2" stud)
  - 2 in base (1/4-20 x 1/2" stud)
- Adjustable levelling feet
- Easy ganging capabilities
- Standard colour is *textured black powdercoat*
- Custom colours (e.g. RAL 7035) also available



48",42", 36",and 30" Depth Cabinet Frame



24" Depth Cabinet Frame

### 48" Depth Cabinet Frame

Part Number	A	B	C	# of U's
RFM-244890	24.150	48.150	90.00	48U
RFM-244883	24.150	48.150	83.00	44U
RFM-244872	24.150	48.150	72.00	38U
RFM-244859	24.150	48.150	83.00	30U
RFM-244835	24.150	48.150	72.00	17U

### 42" Depth Cabinet Frame

Part Number	A	B	C	# of U's
RFM-244290	24.150	42.150	90.00	48U
RFM-244283	24.150	42.150	83.00	44U
RFM-244272	24.150	42.150	72.00	38U
RFM-244259	24.150	42.150	59.00	30U
RFM-244235	24.150	42.150	35.00	17U

### 36" Depth Cabinet Frame

Part Number	A	B	C	# of U's
RFM-243690	24.150	36.150	90.00	48U
RFM-243683	24.150	36.150	83.00	44U
RFM-243672	24.150	36.150	72.00	38U
RFM-243659	24.150	36.150	59.00	30U
RFM-243635	24.150	36.150	35.00	17U

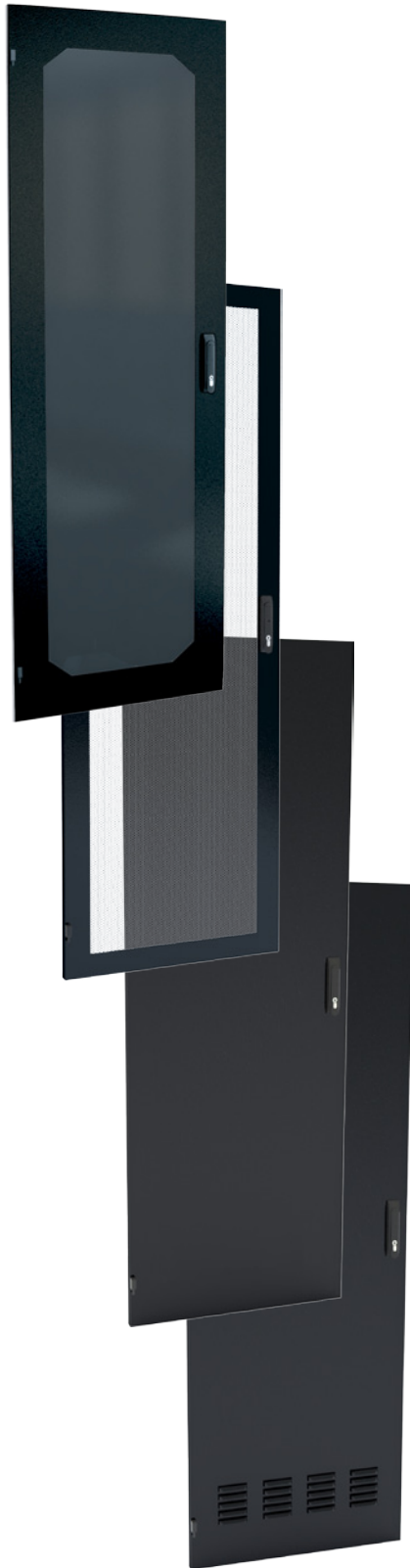
### 30" Depth Cabinet Frame

Part Number	A	B	C	# of U's
RFM-243090	24.150	30.150	90.00	48U
RFM-243083	24.150	30.150	83.00	44U
RFM-243072	24.150	30.150	72.00	38U
RFM-243059	24.150	30.150	59.00	30U
RFM-243035	24.150	30.150	35.00	17U

### 24" Depth Cabinet Frame

Part Number	A	B	C	# of U's
RFM-242483	24.150	24.150	83.00	44U
RFM-242472	24.150	24.150	72.00	38U
RFM-242459	24.150	24.150	59.00	30U
RFM-242435	24.150	24.150	35.00	17U

## CABINET DOORS: ACRYLIC, PERFORATED, SOLID, & LOUVERED



### Smoked acrylic door

Fits...	Part Number	A	B
RFM Series 30" wide cabinet	RFM-3090-1	84.81	26.31
	RFM-3083-1	77.68	26.31
	RFM-3072-1	66.68	26.31
	RFM-3059-1	53.68	26.31
	RFM-3035-1	29.68	26.31
RFM Series 24" wide cabinet	RFM-2490-1	84.68	20.16
	RFM-2483-1	77.68	20.16
	RFM-2472-1	66.68	20.16
	RFM-2459-1	53.68	20.16
	RFM-2435-1	29.68	20.16

### Features:

- Heavy gauge steel
- All welded construction
- All cabinet door styles lift off for ease of equipment and cable installation
- Electronic and Combination lock options
- Field reversible; requires hinge kit
- Durable textured powder coated finish
- Standard colour is all black
- Custom colours and sizes available upon request

### Highlights:

- Smoked acrylic inserts<sup>1</sup> allows for easy viewing of equipment without opening the door
- Perforated doors provide optimal air flow
- Optional air filter for Louvered doors  
(see catalogue page 6.2.7)

### Note:

- 3-Point locking available (for Seismic installations), add -3P suffix to part #. e.g. RFM-3083-1-PC-78-3P

<sup>1</sup> inserts are UL 94 Fire Rated

### Perforated door

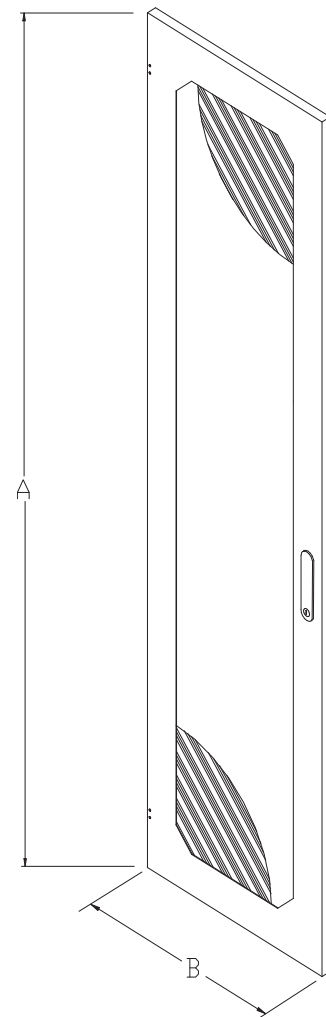
Fits...	Part Number	A	B
RFM Series 30" wide cabinet	RFM-3090-1-PC-78	84.81	26.31
	RFM-3083-1-PC-78	77.68	26.31
	RFM-3072-1-PC-78	66.68	26.31
	RFM-3059-1-PC-78	53.68	26.31
	RFM-3035-1-PC-78	29.68	26.31
RFM Series 24" wide cabinet	RFM-2490-1-PC-78	84.68	20.16
	RFM-2483-1-PC-78	77.68	20.16
	RFM-2472-1-PC-78	66.68	20.16
	RFM-2459-1-PC-78	53.68	20.16
	RFM-2435-1-PC-78	29.68	20.16

### Solid door

Fits...	Part Number	A	B
RFM Series 30" wide cabinet	RFM-3090-2	84.81	26.31
	RFM-3083-2	77.68	26.31
	RFM-3072-2	66.68	26.31
	RFM-3059-2	53.68	26.31
	RFM-3035-2	29.68	26.31
RFM Series 24" wide cabinet	RFM-2490-2	84.68	20.16
	RFM-2483-2	77.68	20.16
	RFM-2472-2	66.68	20.16
	RFM-2459-2	53.68	20.16
	RFM-2435-2	29.68	20.16

### Louvered door

Fits...	Part Number	A	B
RFM Series 30" wide cabinet	RFM-3090-3	84.81	26.31
	RFM-3083-3	77.68	26.31
	RFM-3072-3	66.68	26.31
	RFM-3059-3	53.68	26.31
	RFM-3035-3	29.68	26.31
RFM Series 24" wide cabinet	RFM-2490-3	84.68	20.16
	RFM-2483-3	77.68	20.16
	RFM-2472-3	66.68	20.16
	RFM-2459-3	53.68	20.16
	RFM-2435-3	29.68	20.16



## SPLIT DOORS: PERFORATED, ACRYLIC, & SOLID

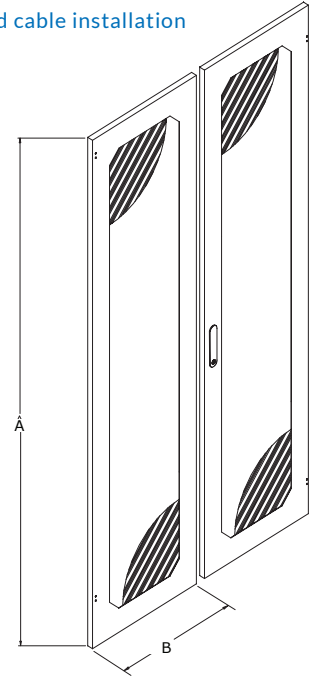


### Features:

- Heavy gauge steel
- All welded construction
- Both cabinet doors lift off for ease of equipment and cable installation
- Equipped with 3-Point Locking swing handle
- Electronic and Combination lock options available
- Durable textured powder coated finish
- Standard colour is all black
- Custom colours and sizes available upon request

### Highlights:

- Smoked acrylic allows for easy viewing of equipment without opening the door
- Perforated doors provide optimal air flow



### 30" wide RFM Series cabinets, 90" height

Description	Part number	A	B
PERFORATED	RFM-3090-1-P-DD-78	84.81	13.15
SMOKED ACRYLIC	RFM-3090-1-DD	84.81	13.15
SOLID	RFM-3090-2-DD	84.81	13.15

### 24" wide RFM Series cabinets, 90" height

Description	Part number	A	B
PERFORATED	RFM-2490-1-P-DD-78	84.81	10.00
SMOKED ACRYLIC	RFM-2490-1-DD	84.81	10.00
SOLID	RFM-2490-2-DD	84.81	10.00

### 30" wide RFM Series cabinets, 83" height

Description	Part number	A	B
PERFORATED	RFM-3083-1-P-DD-78	77.68	13.15
SMOKED ACRYLIC	RFM-3083-1-DD	77.68	13.15
SOLID	RFM-3083-2-DD	77.68	13.15

### 24" wide RFM Series cabinets, 83" height

Description	Part number	A	B
PERFORATED	RFM-2483-1-P-DD-78	77.68	10.00
SMOKED ACRYLIC	RFM-2483-1-DD	77.68	10.00
SOLID	RFM-2483-2-DD	77.68	10.00

### 30" wide RFM Series cabinets, 72" height

Description	Part number	A	B
PERFORATED	RFM-3072-1-P-DD-78	66.68	13.15
SMOKED ACRYLIC	RFM-3072-1-DD	66.68	13.15
SOLID	RFM-3072-2-DD	66.68	13.15

### 24" wide RFM Series cabinets, 72" height

Description	Part number	A	B
PERFORATED	RFM-2472-1-P-DD-78	66.68	10.00
SMOKED ACRYLIC	RFM-2472-1-DD	66.68	10.00
SOLID	RFM-2472-2-DD	66.68	10.00

### 30" wide RFM Series cabinets, 59" height

Description	Part number	A	B
PERFORATED	RFM-3059-1-P-DD-78	53.68	13.15
SMOKED ACRYLIC	RFM-3059-1-DD	53.68	13.15
SOLID	RFM-3059-2-DD	53.68	13.15

### 24" wide RFM Series cabinets, 59" height

Description	Part number	A	B
PERFORATED	RFM-2459-1-P-DD-78	53.68	10.00
SMOKED ACRYLIC	RFM-2459-1-DD	53.68	10.00
SOLID	RFM-2459-2-DD	53.68	10.00

### 30" wide RFM Series cabinets, 35" height

Description	Part number	A	B
PERFORATED	RFM-3035-1-P-DD-78	29.688	13.15
SMOKED ACRYLIC	RFM-3035-1-DD	29.688	13.15
SOLID	RFM-3035-2-DD	29.688	13.15

### 24" wide RFM Series cabinets, 35" height

Description	Part number	A	B
PERFORATED	RFM-2435-1-P-DD-78	29.688	10.00
SMOKED ACRYLIC	RFM-2435-1-DD	29.688	10.00
SOLID	RFM-2435-2-DD	29.688	10.00

## CABINET SIDE PANELS: SOLID & PERFORATED

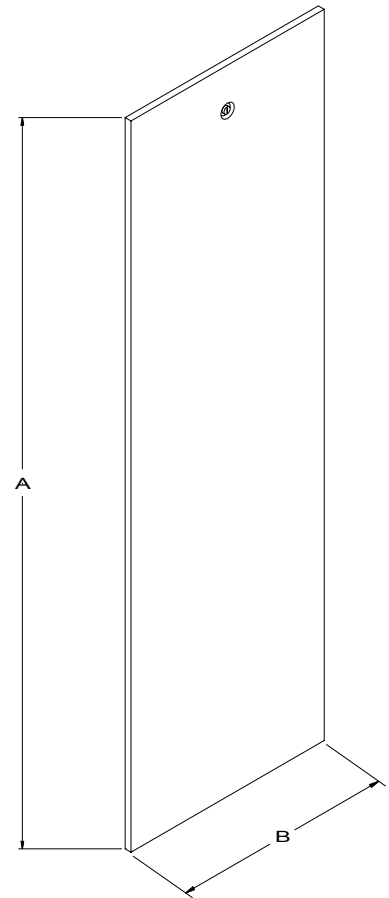


### Features:

- Heavy gauge steel
- All welded construction
- Side panels are flush mount
- Equipped with key lock for secure installation
- Durable textured powder coated finish
- Standard colour is all black
- Custom colours and sizes available upon request

### Highlights:

- Key lock is sub-pressed flush with panel surface allowing for cabinets to be placed side-by-side, or flush against walls
- Perforated sides provide optimal air flow



### Solid side panel

Fits...	Part number	A	B
RFM Series 48" deep cabinet	RFM-4890-4	84.94	41.75
	RFM-4883-4	77.75	41.75
RFM Series 42" deep cabinet	RFM-4290-4	84.94	35.75
	RFM-4283-4	77.75	35.75
	RFM-4272-4	66.75	35.75
	RFM-4259-4	51.50	35.75
	RFM-4235-4	29.75	35.75
RFM Series 36" deep cabinet	RFM-3690-4	84.94	29.75
	RFM-3683-4	77.75	29.75
	RFM-3672-4	66.75	29.75
	RFM-3659-4	51.50	29.75
	RFM-3635-4	29.75	29.75
RFM Series 30" deep cabinet	RFM-3083-4	77.75	23.75
	RFM-3072-4	66.75	23.75
	RFM-3059-4	51.50	23.75
	RFM-3035-4	29.75	23.75
RFM Series 24" deep cabinet	RFM-2483-4	77.75	41.75

### Perforated side panel

Fits...	Part number	A	B
RFM Series 48" deep cabinet	RFM-4890-4P	84.94	41.75
	RFM-4883-4P	77.75	41.75
RFM Series 42" deep cabinet	RFM-4290-4P	84.94	35.75
	RFM-4283-4P	77.75	35.75
	RFM-4272-4P	66.75	35.75
	RFM-4259-4P	51.50	35.75
	RFM-4235-4P	29.75	35.75
RFM Series 36" deep cabinet	RFM-3690-4P	84.94	29.75
	RFM-3683-4P	77.75	29.75
	RFM-3672-4P	66.75	29.75
	RFM-3659-4P	51.50	29.75
	RFM-3635-4P	29.75	29.75
RFM Series 30" deep cabinet	RFM-3083-4P	77.75	23.75
	RFM-3072-4P	66.75	23.75
	RFM-3059-4P	51.50	23.75
	RFM-3035-4P	29.75	23.75
RFM Series 24" deep cabinet	RFM-2483-4P	77.75	41.75

## MOUNTING ANGLES / STANDARD EIA RAILS



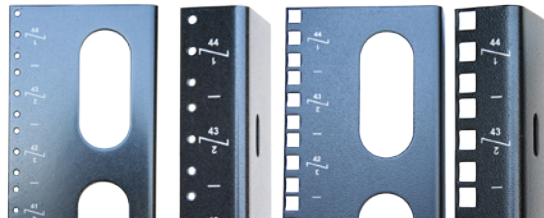
### Features:

- 11 gauge steel
- Available for 30" Wide or 24" Wide Cabinet frame
- Silk screened 'U' Markings (*see image below*)
- Use with mounting patch panels, servers, or any variety of rack mount accessories
- Mounting angles available punched to 19" EIA\* (*standard*) spacing:
  - for cage nut accomodation (.375" x .375" square holes) or
  - for tapped #10-32
- Tapped rails are wet painted with a durable finish to avoid clogged threads
- Standard colour is all black with white silk screened markings

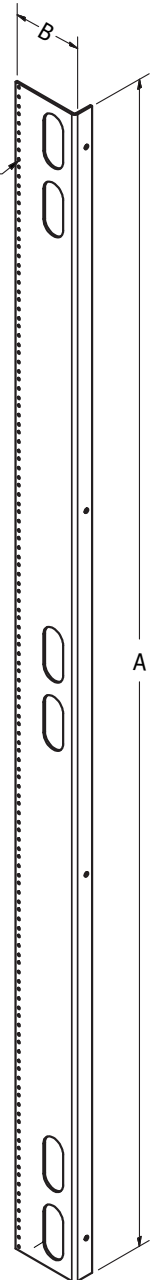
### Highlights:

- 30" Wide cabinet version c/w cable pass through access holes

\*23" EIA Mount also available - for 30" Wide Cabinet only



EIA standard pattern



### 30" wide RFM Series cabinets

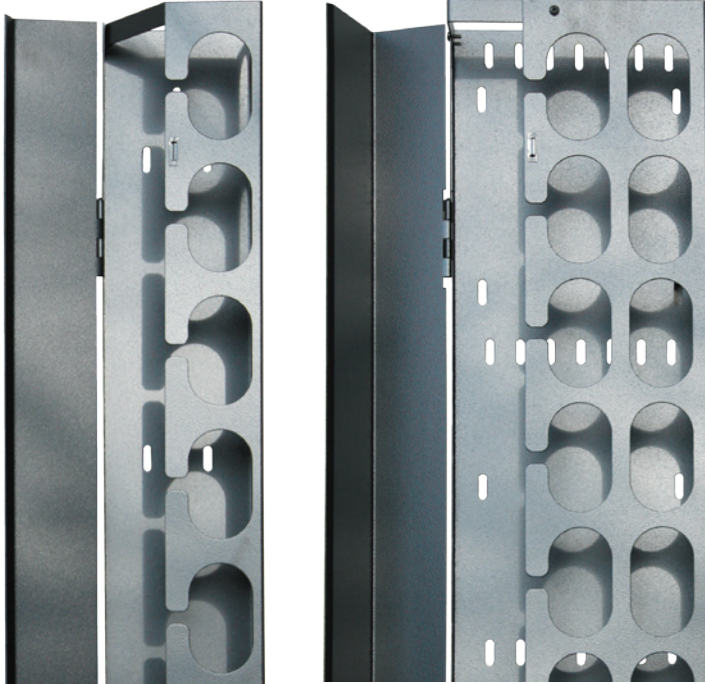
	Part number		A	B	# of U's
	TAPPED #10-32	CAGE-NUT STYLE			
19" EIA MOUNT	RFM-1990-MA	RFM-1990-MA-SQ	84.00	4.45	48U
	RFM-1983-MA	RFM-1983-MA-SQ	77.00	4.45	44U
	RFM-1972-MA	RFM-1972-MA-SQ	66.50	4.45	38U
	RFM-1959-MA	RFM-1959-MA-SQ	52.50	4.45	30U
	RFM-1935-MA	RFM-1935-MA-SQ	29.75	4.45	17U
23" EIA MOUNT	RFM-2383-MA	RFM-2383-MA-SQ	77.00	2.45	44U
	RFM-2372-MA	RFM-2372-MA-SQ	66.50	2.45	38U
	RFM-2359-MA	RFM-2359-MA-SQ	52.50	2.45	30U
	RFM-2335-MA	RFM-2335-MA-SQ	29.75	2.45	17U

### 24" wide RFM Series cabinets

	Part number		A	B	# of U's
	TAPPED #10-32	CAGE-NUT STYLE			
19" EIA MOUNT	RFM-1990-MA-24	RFM-1990-MA-SQ-24	84.00	1.38	48U
	RFM-1983-MA-24	RFM-1983-MA-SQ-24	77.00	1.38	44U
	RFM-1972-MA-24	RFM-1972-MA-SQ-24	66.50	1.38	38U
	RFM-1959-MA-24	RFM-1959-MA-SQ-24	52.50	1.38	30U
	RFM-1935-MA-24	RFM-1935-MA-SQ-24	29.75	1.38	17U



## VERTICAL CABLE MANAGERS: FOR RFM SERIES 30" CABINETS

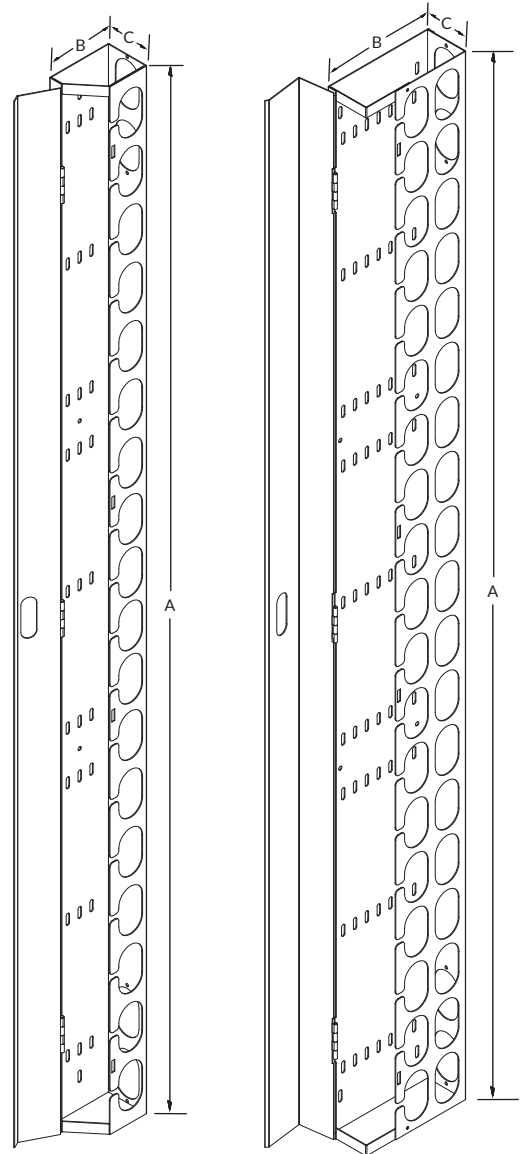


### Features:

- Heavy gauge steel
- Fits RFM series 30" wide cabinets
- Durable textured powder coated finish
- Standard colour is all black

### Highlights:

- Provisions for cable ties
- Available in both Narrow and Wide series (5.0", 7.0", or 8.5" depth)



VCM narrow series

VCM wide series

### VCM Narrow series: 5" depth

PART NUMBER	A	B	C	# of U's
RFM-583-VCM	76.75	5.00	3.50	44U
RFM-572-VCM	65.75	5.00	3.50	38U
RFM-559-VCM	52.75	5.00	3.50	30U
RFM-535-VCM	28.75	5.00	3.50	16U

### VCM Wide series: 7" depth

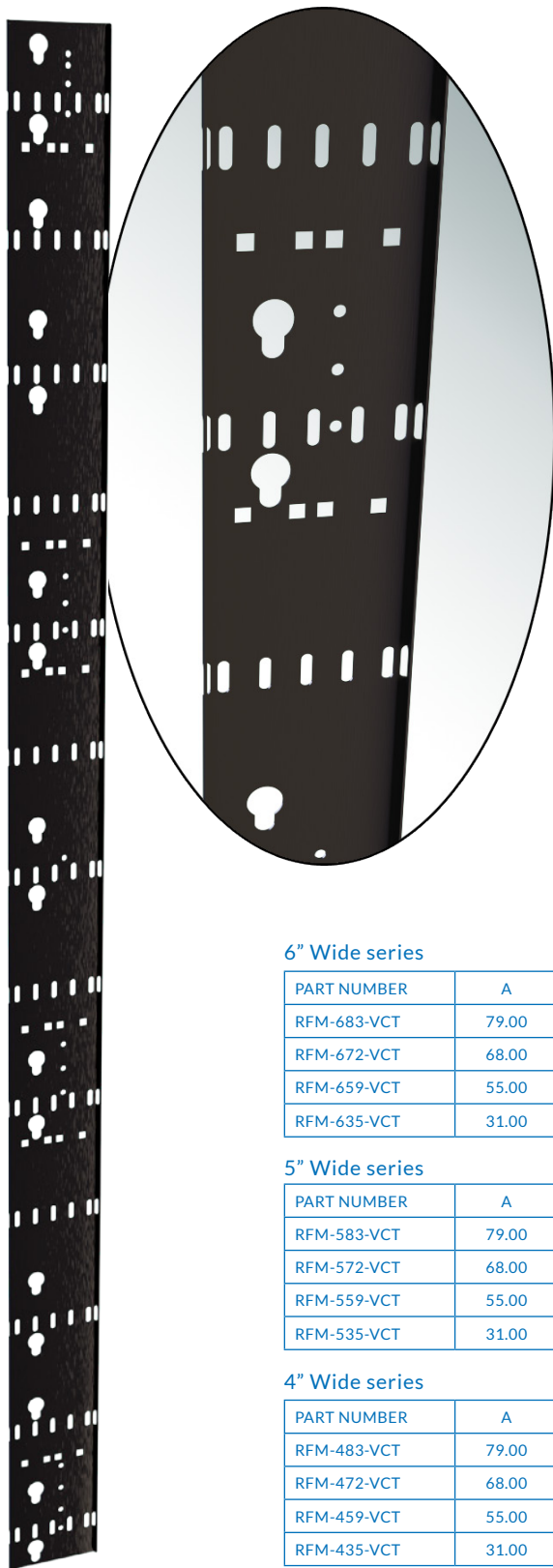
PART NUMBER	A	B	C	# of U's
RFM-790-VCM-A	84.19	7.00	3.50	48U
RFM-783-VCM-A	76.75	7.00	3.50	44U

### VCM Wide series: 8.5" depth

PART NUMBER	A	B	C	# of U's
RFM-983-VCM-A	76.75	8.50	3.50	44U
RFM-972-VCM-A	65.75	8.50	3.50	38U
RFM-959-VCM-A	52.75	8.50	3.50	30U
RFM-935-VCM-A	28.75	8.50	3.50	16U

Note: VCM series not recommended for 24" wide cabinets

## VERTICAL CABLE TROUGHS

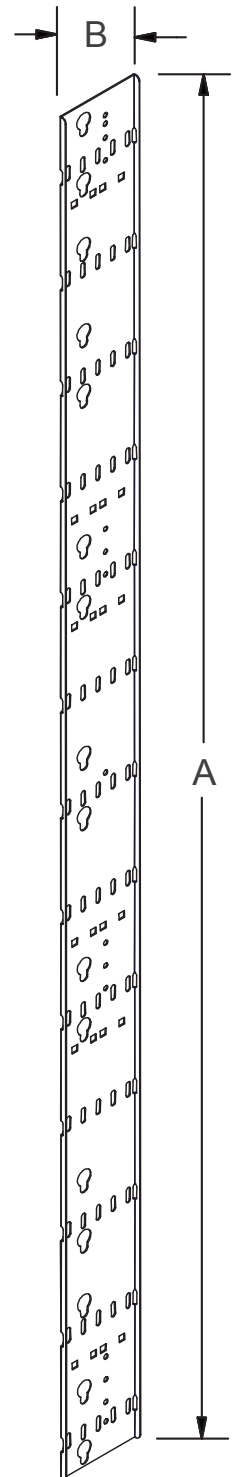


**Features:**

- Heavy gauge steel
- Durable textured powder coated finish
- Standard colour is all black

**Highlights:**

- Multi Use Bracket:
  - Provisions for installing cable ties or D-Rings
  - Holes for Tool-less mounting of Vertical PDU's
  - Holes for Cage Nuts spaced on 19" centres allow for installation of 1U Rack accessories. (e.g.: Horizontal PDU)
- Slim depth
- Ideal for use in RFM series 24" wide cabinets



**6" Wide series**

PART NUMBER	A	B	# of U's
RFM-683-VCT	79.00	6.00	44U
RFM-672-VCT	68.00	6.00	38U
RFM-659-VCT	55.00	6.00	30U
RFM-635-VCT	31.00	6.00	17U

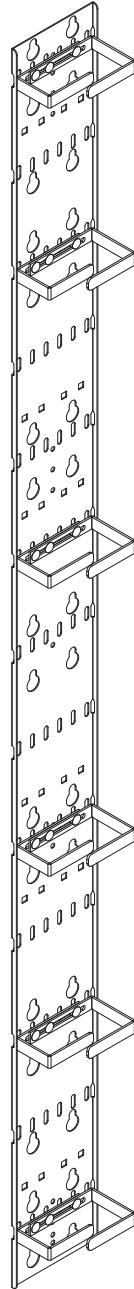
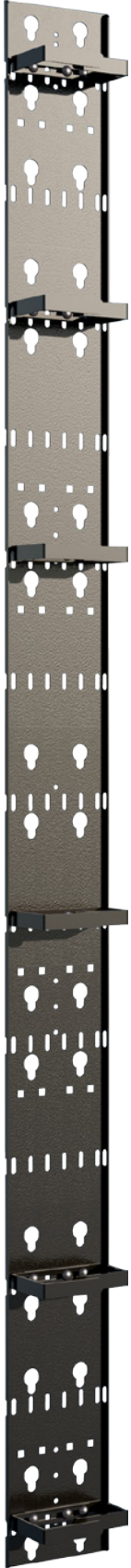
**5" Wide series**

PART NUMBER	A	B	# of U's
RFM-583-VCT	79.00	5.00	44U
RFM-572-VCT	68.00	5.00	38U
RFM-559-VCT	55.00	5.00	30U
RFM-535-VCT	31.00	5.00	17U

**4" Wide series**

PART NUMBER	A	B	# of U's
RFM-483-VCT	79.00	4.00	44U
RFM-472-VCT	68.00	4.00	38U
RFM-459-VCT	55.00	4.00	30U
RFM-435-VCT	31.00	4.00	17U

## HIGH DENSITY CABLE MANAGERS FOR CABINETS



### Features:

- Heavy gauge steel
- Unit designed for use with all R.F.Mote 83" height cabinets
- Allows for large volume of cabling to be managed
- Includes 6 adjustable D-Rings for cable management
- Durable textured powder coated finish
- Standard colour is all black

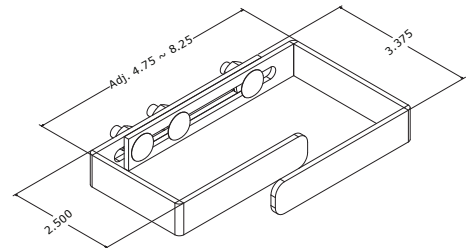
### Highlights:

- Provisions for cable ties
- D-Rings can be installed on the front or back of VCT, in multiple configurations, and are adjustable in size
- Additional D-Rings also available separately
- D-Rings can also be mounted on: Cabinet or 4-post rack cross members, or outside of vertical cable manager (e.g. RFM-RVCM)
- Custom sizes available on request



Part description	Part number
VCT-HD <sup>1</sup>	RFM-683-VCT-HD
D-RINGS INSTALL ON VCT-HD	RFM-DR-ADJ

<sup>1</sup> Fits all RFM Series 83"H Cabinets



## GROUNDING BARS (for Cabinets & Racks): VERTICAL & HORIZONTAL MOUNT



### Vertical Grounding Bar

#### Features:

- Copper bar: 1" Width x 3/16" thick
- Multiple sets of holes for 2 hole ground lug
- Multiple holes for single hole lug (tapped #10-32)
- Attaches to cabinet cross members
- Custom sizes available on request

### Vertical Grounding Bar - for Cabinets

FITS ALL OUR...	PART NUMBER
90" HEIGHT CABINETS	RFM-GB-90
83" HEIGHT CABINETS	RFM-GB-83
72" HEIGHT CABINETS	RFM-GB-72
59" HEIGHT CABINETS	RFM-GB-59

### Vertical Grounding Bar - for Racks

FITS ALL OUR...	PART NUMBER
48U" HEIGHT RACKS	RFM-GBR-90
44U" HEIGHT RACKS	RFM-GBR-83
38U" HEIGHT RACKS	RFM-GBR-72
24U" HEIGHT RACKS	RFM-GBR-48

### Horizontal Grounding Bar - for Cabinets and Racks

#### Features:

- Copper bar: 1" Width x 3/16" thick
- Multiple sets of holes for 2 hole ground lug
- Multiple holes for single hole lug (tapped #10-32)
- Attaches horizontally to mounting angles/rails
- 19" EIA mounting

FITS ALL HORIZ...	PART NUMBER
19" EIA Mounting	RFM-HGB-19



### Ground Bar Low Voltage Insulator - for Cabinets and Racks

#### Features:

- Meets requirements of UL 94 VO for self-extinguishing materials
- High resistance to leakage current
- Working range of -40 Deg C. to 130 Deg C.



PART NUMBER	FITS WITH...	KIT CONTAINS...
RFM-GB-90-ISOKIT	RFM-GB-90 & RFM-GBR-90	PKG OF 4 INSULATORS
RFM-GB-83-ISOKIT	RFM-GB-83 & RFM-GBR-83	PKG OF 4 INSULATORS
RFM-GB-72-ISOKIT	RFM-GB-72 & RFM-GBR-72	PKG OF 3 INSULATORS
RFM-GB-59-ISOKIT	RFM-GB-59 & RFM-GBR-59	PKG OF 3 INSULATORS

## VERTICAL CABLE MANAGERS, FINGERED: FOR RFM SERIES 30 CABINETS

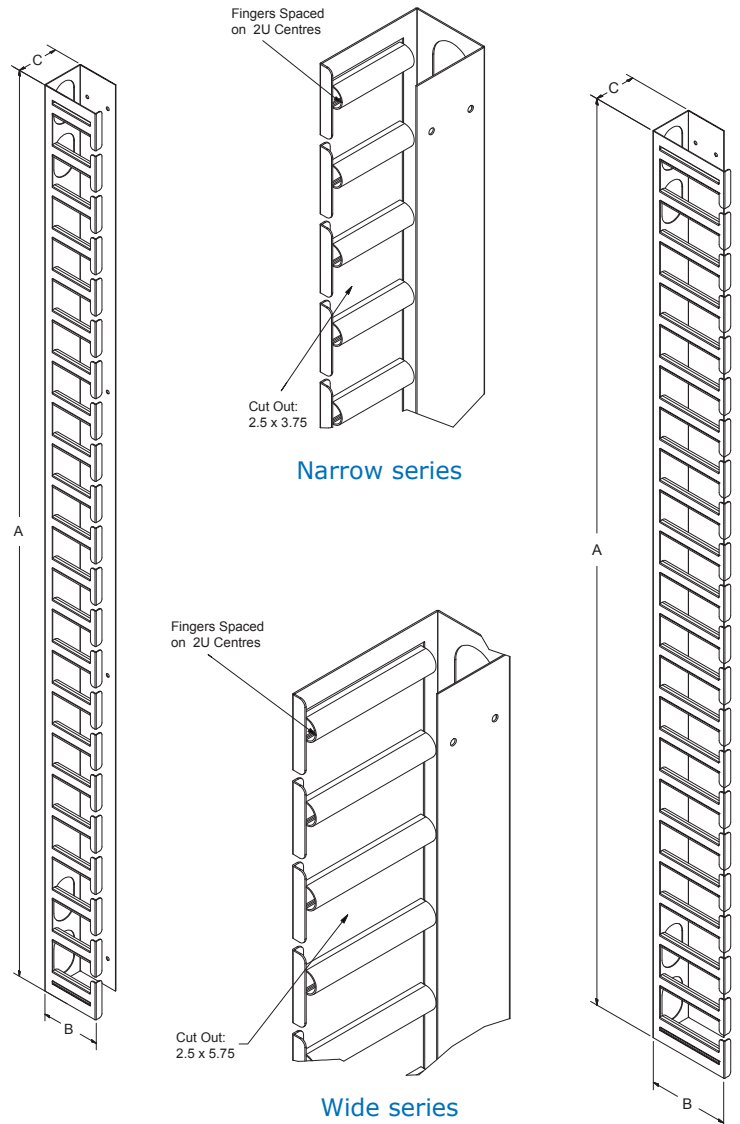


### Features:

- Heavy gauge steel
- Fits RFM series 30" wide cabinets
- Durable textured powder coated finish
- Standard colour is all black

### Highlights:

- 3/4" Thick fingers
- Fingers spaced every 2U
- Openings between fingers allow for easy adds or moves
- Fingers support cables as they transition into the horizontal plane
- Available in both Narrow and Wide series (5.0" or 7.0" depth)



### VCM-FND Narrow series: 5" depth

PART NUMBER	A	B	C	# of U's
RFM-590-VCM-FND	83.75	5.00	3.50	48U
RFM-583-VCM-FND	76.75	5.00	3.50	44U
RFM-572-VCM-FND	65.75	5.00	3.50	38U
RFM-559-VCM-FND	52.75	5.00	3.50	30U
RFM-535-VCM-FND	29.75	5.00	3.50	17U

### VCM-FND Wide series: 7" depth

PART NUMBER	A	B	C	# of U's
RFM-790-VCM-FND	83.75	7.00	3.50	44U
RFM-783-VCM-FND	76.75	7.00	3.50	44U
RFM-772-VCM-FND	65.75	7.00	3.50	38U
RFM-759-VCM-FND	52.75	7.00	3.50	30U
RFM-735-VCM-FND	29.75	7.00	3.50	17U

Note: VCM-FND series not recommended for 24" wide cabinets

## VERTICAL CABLE MANAGERS, FINGERED, LATCHING DOOR: FOR RFM SERIES 30" CABINETS



RFM-583-VCM-F

RFM-783-VCM-F

**Features:**

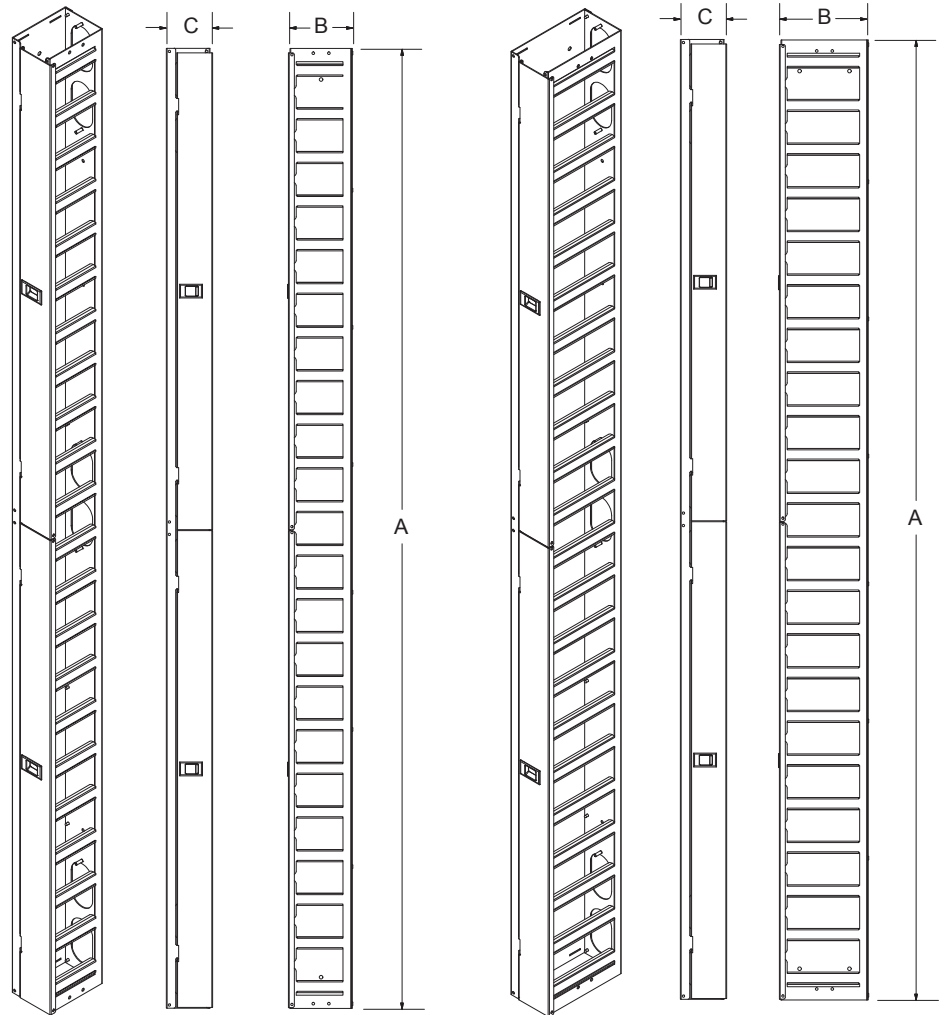
- Heavy gauge steel
- Fits RFM series 30" wide cabinets
- Durable textured powder coated finish
- Standard colour is all black

**Highlights:**

- Economical option
- 3/4" Thick fingers
- Fingers spaced every 2U
- Openings between fingers allow for easy adds or moves
- Provisions for cable pass through
- Fingers support cables as they transition into the horizontal plane
- Doors are easy to removable and latch closed
- Available in both 5.0" or 7.0" depths

**Options:**

- Cable Spools may be added to further manage cable bundles



5" depth series

7" depth series

**5" depth cable manager**

Part Number	A	B	C	# of U's
RFM-590-VCM-F	83.75	5.00	3.50	48U
RFM-583-VCM-F	77.00	5.00	3.50	44U
RFM-572-VCM-F	65.75	5.00	3.50	38U
RFM-559-VCM-F	52.75	5.00	3.50	30U
RFM-535-VCM-F	29.75	5.00	3.50	17U

**7" depth cable manager**

Part Number	A	B	C	# of U's
RFM-790-VCM-F	83.75	7.00	3.50	44U
RFM-783-VCM-F	76.75	7.00	3.50	44U
RFM-772-VCM-F	65.75	7.00	3.50	38U
RFM-759-VCM-F	52.75	7.00	3.50	30U
RFM-735-VCM-F	29.75	7.00	3.50	17U

## VERTICAL CABLE MANAGERS - HIGH DENSITY FOR RFM SERIES HIGH DENSITY NETWORKING CABINETS

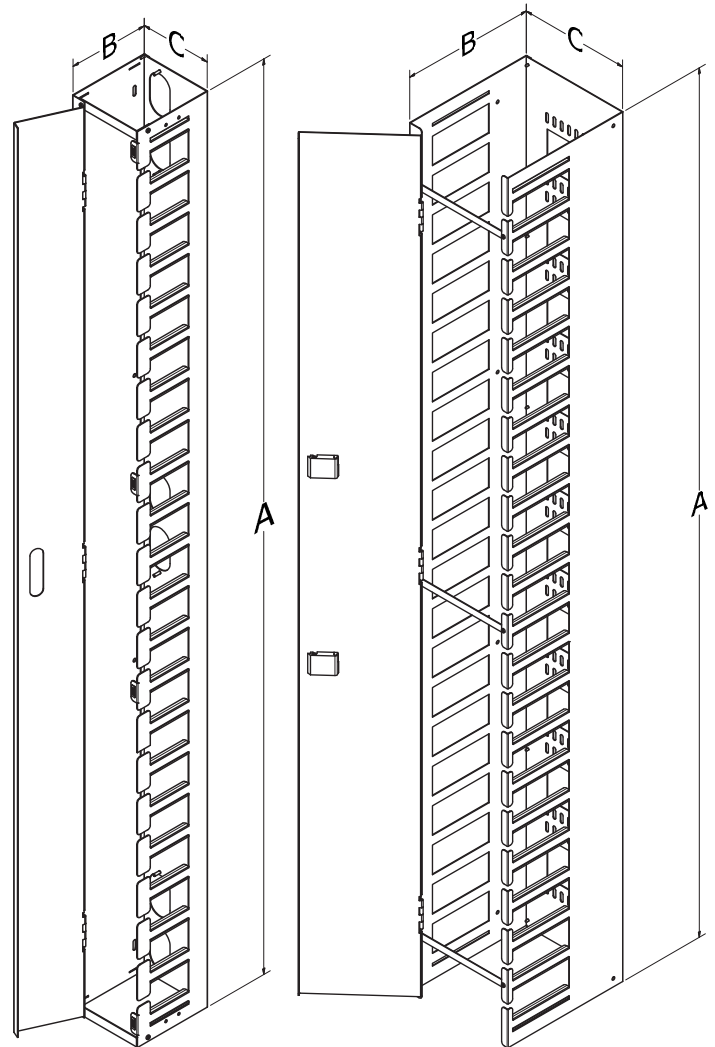


Features:

- Heavy gauge steel
- RFM-7xx-VCM-HD-36 series fits RFM series 36" wide cabinets
- RFM-10xx-HDC series fits RFM series 46" wide cabinets
- Large footprint allows for large volume of cables
- Door latches closed (on 10" wide series)
- Durable textured powder coated finish
- Standard colour is all black

Highlights:

- Wide metal fingers: 3/4" thick for added strength
- Fingers spaced every 2U and are further enhanced with rounded, plastic snap-on, cable supports



7xx-VCM-HD series

10xx-HDC series

Cable Mgt for 36" Wide High Density Cabinets

PART NUMBER	A	B	C	# of U's
RFM-783-VCM-HD-36	77.00	7.00	6.25	44U
RFM-790-VCM-HD-36	84.25	7.00	6.25	48U

Cable Mgt for 46" Wide High Density Cabinets

PART NUMBER	A	B	C	# of U's
RFM-1083-HDC	77.00	12.00	10.00	44U
RFM-1090-HDC	84.25	12.00	10.00	48U

Note<sup>1</sup>: See catalogue page 1.2.9 for RFM Series High Density Networking Cabinet 36" Wide

Note<sup>2</sup>: See catalogue page 1.2.10 for RFM Series High Density Networking Cabinet 46" Wide

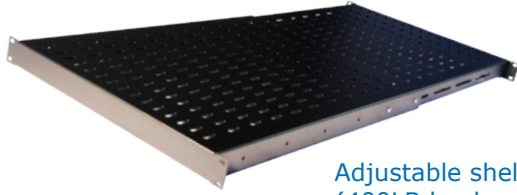
## CABINET SHELF: 4 POINT MOUNTING Adjustable, Fixed, and Retractable

### Features:

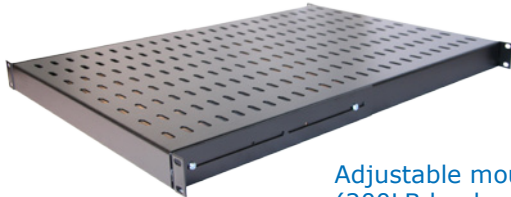
- Heavy gauge steel
- 19" Rack mount shelf fits RFM Series Cabinets, RFM Fortress cabinets, as well as RFM Four-Post Racks
- 4-point rack mounting
- In cabinets, bolts to EIA mounting rails in front and rear
- Perforated for ventilation, mounting servers, cable ties, and accessories
- Durable textured powder coated finish
- Standard colour is all black

### Highlights:

- This cabinet style shelving requires 4 mounting rails for installation purposes
- All CFS-4 series shelves feature adjustable mounting depth
- All CRS-4 series shelves features heavy duty full extension drawer slides



Adjustable shelf depth  
(400LB load capacity)



Adjustable mount depth  
(200LB load capacity)

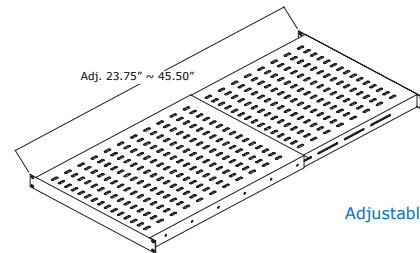


Retractable / sliding  
Adjustable mount depth  
(100LB load capacity)

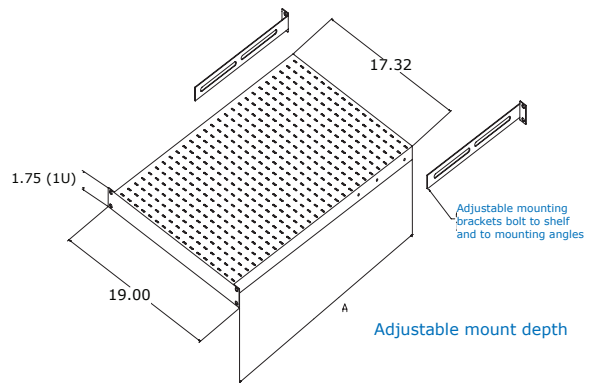
Adjustable shelf depth - fixed series - 400LB load capacity		
PART NUMBER	OVERALL ADJUSTABLE MOUNTING DEPTH	# of U's
RFM-2440-CFS-4	23.75" ~ 45.50"	1U

Adjustable mounting depth - fixed series - 200LB load capacity			
PART NUMBER	SHELF DEPTH (A)	OVERALL ADJUSTABLE MOUNTING DEPTH	# of U's
RFM-1726-CFS-4	26.00	6.00" ~ 33.475"	1U
RFM-1719-CFS-4	19.00	6.00" ~ 26.625"	1U
RFM-1716-CFS-4 (NOTE: NON-VENTED)	16.00	6.00" ~ 23.625"	1U

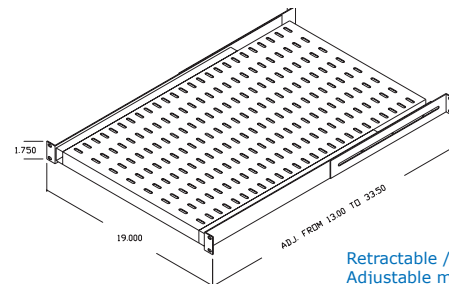
Adjustable mount depth - retractable series - 100LB load capacity			
PART NUMBER	SHELF DEPTH	OVERALL ADJUSTABLE MOUNTING DEPTH	# of U's
RFM-1726-CRS-4-1U	26.00	13.00" ~ 33.35"	1U



Adjustable shelf depth



Adjustable mount depth



Retractable / sliding  
Adjustable mount depth



## OVERHEAD CABLE TROUGH FOR CABINETS



Horizontal cable trough  
(trough, joiner, and end cap - assembled)

Features:

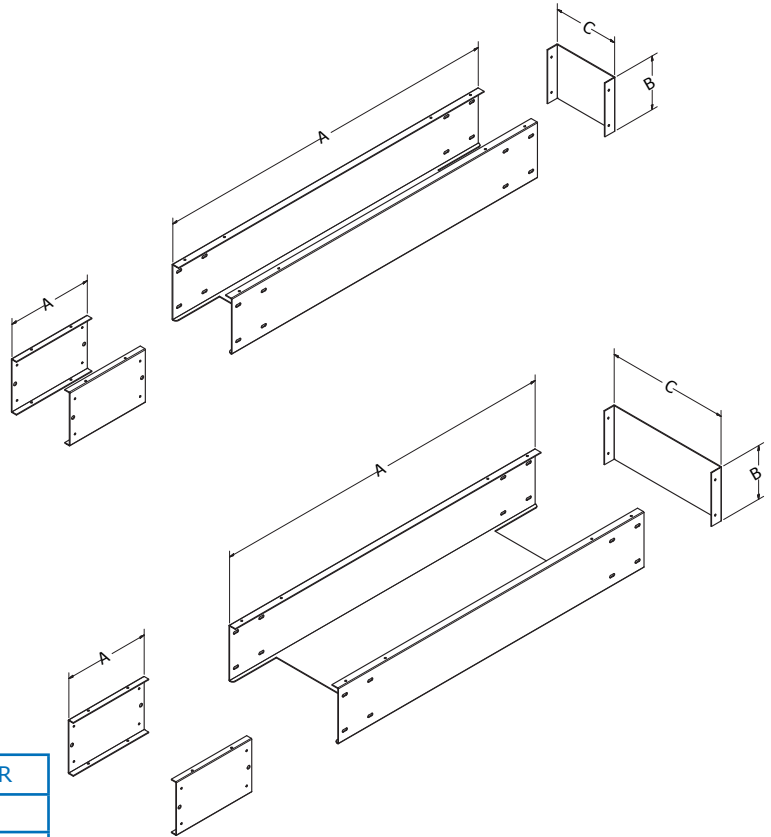
- Manage cables across the top of any R.F. Mote cabinet
- Modular design for easy adds and moves
- Durable textured powder coated finish
- Standard colour is all black

Highlights:

- Easy to assemble and install
- Heavy gauge steel



Horizontal cable trough - high density  
(trough, joiner and end cap)



Horizontal cable trough

PART NUMBER	A	B	C	PART FITS ALL OUR
RFM-HCT-30	30.00	4.75	5.88	30"W CABINETS
RFM-HCT-24	23.85	4.75	5.88	24"W CABINETS
RFM-HCTE-C-5	n/a	4.56	5.63	TROUGHS (END CAP)
RFM-HCT-J-5	7.40	4.50	n/a	TROUGHS (JOINER)

Horizontal cable trough - High density

PART NUMBER	A	B	C	PART FITS ALL OUR
RFM-HCT-30-10	30.00	4.75	10.75	30"W CABS.: 30" ~ 48" DEPTH
RFM-HCT-24-10	23.85	4.75	10.75	24"W CABS.: 30" ~ 48" DEPTH
RFM-HCTE-C-10	n/a	4.56	10.63	TROUGHS (END CAP)
RFM-HCT-J-5	7.40	4.50	n/a	TROUGHS (JOINER)

## FRONT TO BACK CABLE TROUGH

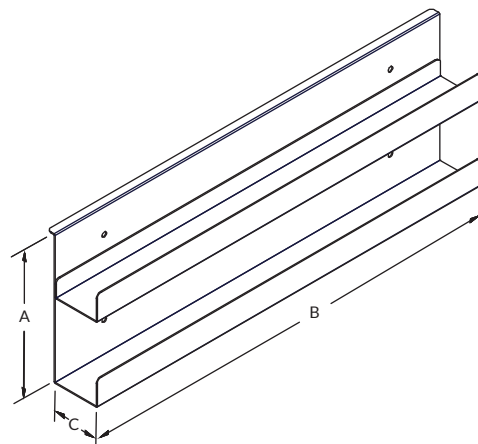
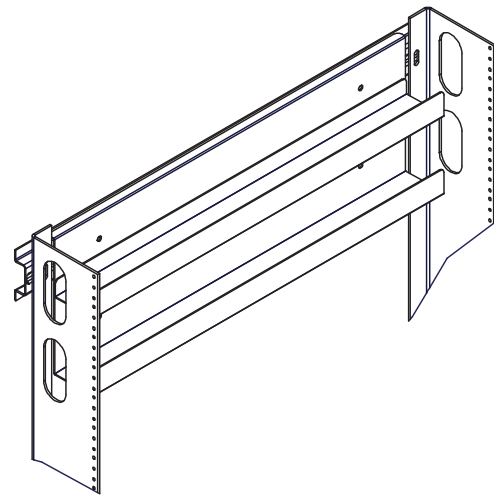


### Features:

- Provides support for cables routed front to back of cabinet through access holes in mounting angles
- Durable textured powder coated finish
- Standard colour is all black

### Highlights:

- Heavy gauge steel
- For use in RFM Series 30" wide cabinets
- Mounts on cross members



PART NUMBER	A	B	C	FITS OUR...
RFM-FTB-CT-BA	7.875	23.50	2.60	30"W CABINETS

## WIRING STACKS: FOR CABINETS



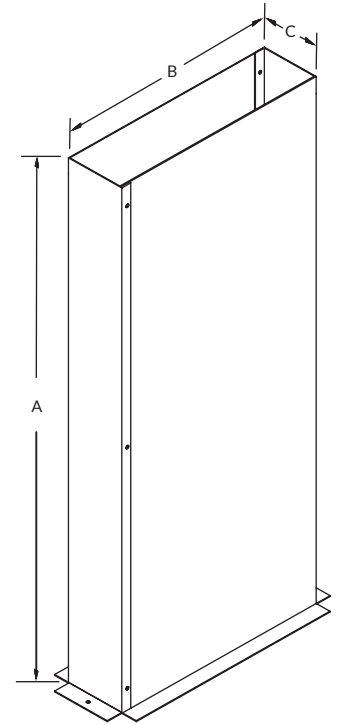
**Features:**

- Heavy gauge steel
- Designed to cover cabling from ceiling to cabinet
- Sized to suit cable access cutouts 2.75" x 10"
- Durable textured powder coated finish
- Standard colour is all black

**Highlights:**

- Two piece construction allows cabling to be installed first
- Simple assembly

Part number	A	B	C
RFM-CWS-24	24.00	10.095	2.75
RFM-CWS-36	36.00	10.095	2.75
RFM-CWS-48	48.00	10.095	2.75



## WIRING STACKS: FOR RACKS



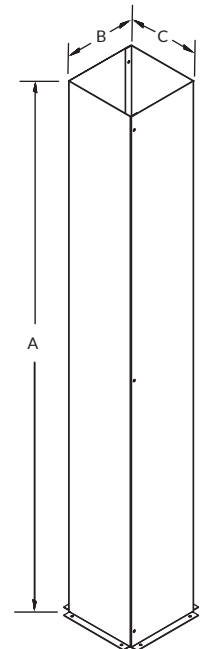
**Features:**

- Heavy gauge steel
- Designed to cover cabling from ceiling to rack
- Durable textured powder coated finish
- Standard colour is all black

**Highlights:**

- RFM-SWS series stacks attach to RFM-HCT series cable troughs
- Two piece construction allows cabling to be installed first
- Simple assembly

Part number	A	B	C
RFM-SWS-24	24.00	4.875	4.875
RFM-SWS-36	36.00	4.875	4.875
RFM-SWS-48	48.00	4.875	4.875
RFM-SWS-60	60.00	4.875	4.875



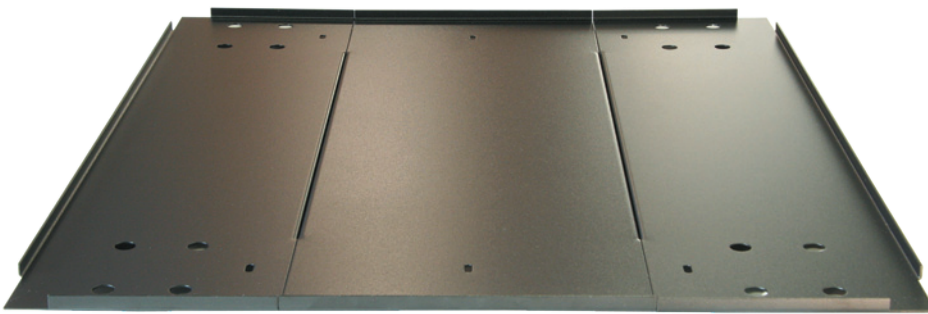
## FLOOR PLATES

### Features:

- Heavy gauge steel
- 3 Section assembly for ease of installation
- Durable textured powder coated finish
- Standard colour is all black

### Highlights:

- Closes off base of cabinet
- Can be used as a shelf

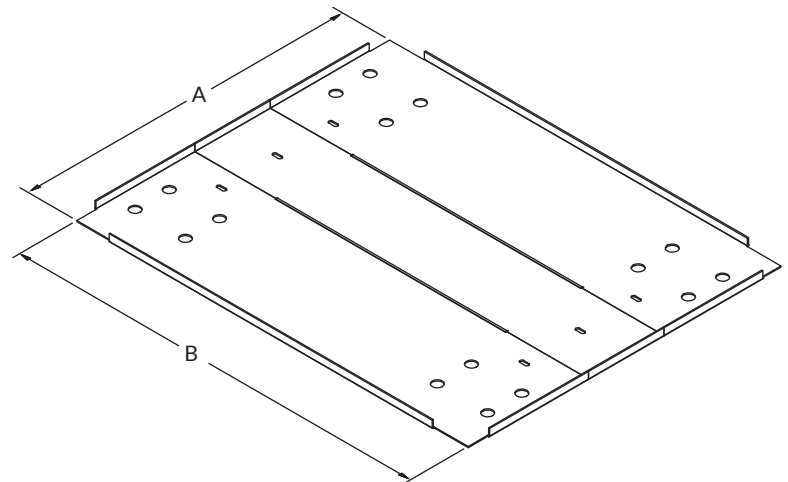


### RFM Series 30" wide cabinet

PART NUMBER	A	B
RFM-3030-FP	28.15	27.47
RFM-3036-FP	28.15	33.47
RFM-3042-FP	28.15	39.47
RFM-3048-FP	28.15	45.47

### RFM Series 24" wide cabinet

PART NUMBER	A	B
RFM-2430-FP	22.00	27.47
RFM-2436-FP	22.00	33.47
RFM-2442-FP	22.00	39.47
RFM-2448-FP	22.00	45.47



Note<sup>1</sup>: Floor plates come with one pair of Caster pads

Note<sup>2</sup>: Caster sets are separately available

## TOP OF CABINET CABLE ENTRY BRUSH KIT



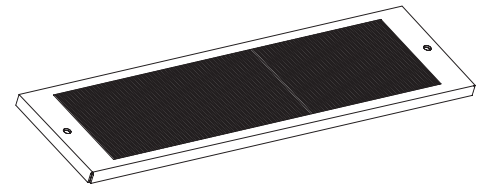
### Features:

- Prevent air escaping around cable bundles
- Durable textured powder coated finish
- c/w nylon brush
- Standard colour is all black

### Highlights:

- Plate fits all RFM Series cabinets, RFM Series Fortress, and RFM Series Wallmount extender cable access openings

PART NUMBER
RFM-TEBK



## WATER FALL CABLE ENTRY PLATE



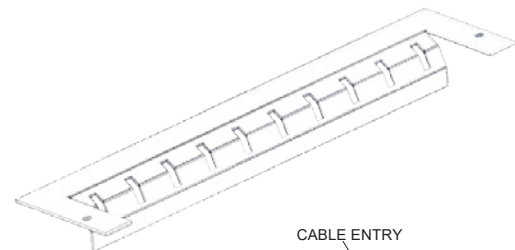
### Features:

- Waterfall profile allows cables to maintain bend radii entering the cabinet
- Durable textured powder coated finish
- Standard colour is all black

### Highlights:

- Plate fits all RFM Series cabinets, RFM Series Fortress, and RFM Series Wallmount extender cable access openings

PART NUMBER
RFM-WFCP



CABLE ENTRY  
CABINET  
TOP

## ELECTRONIC LOCKING SWING HANDLE



Features (-SH & -PRX) :

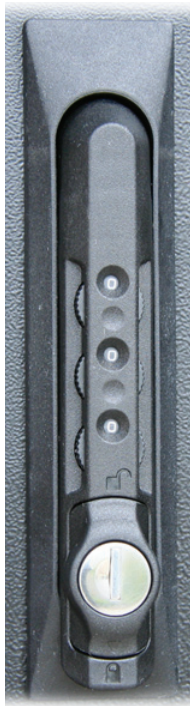
- Local monitoring with multi-colour LED indicator
- Remote lock and unlock control
- Momentary or continuous lock actuation
- High Security DIN lock for mechanical key override
- Wire harness included
- Activated via any 3rd party control system (Access Control)
- Low energy consumption (less than 200mA at 12VDC)

Features (-PRX only) :

- 125kHz HID® reader recognizes existing employee RFID prox cards
- Wiegand output can be connected to a stand alone controller or an existing networked access control system for remote control, monitoring, and reporting

PART NUMBER	VOLTAGE	CURRENT
RFM-E-LOCK-SH	12VDC to 24VDC	<200mA @ 12VDC
RFM-E-LOCK-PRX	12VDC to 24VDC	<200mA @ 12VDC

## COMBINATION LOCKING / KEY OVERRIDE SWING HANDLE

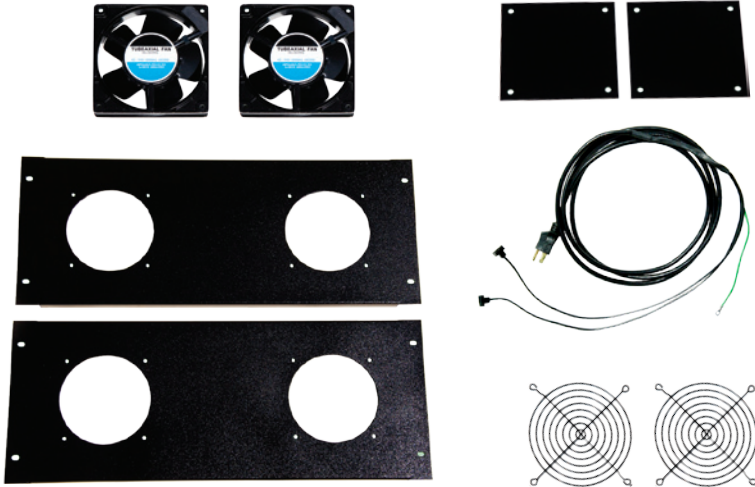


Features:

- Accommodates both left and right hand doors
- Lock or Unlock by using Standard key
- Lock and Unlock by using Combination
- Any 3-Digit combination can be set
- Single or multi-point locking
- Key overrides combination feature

PART NUMBER	FEATURES
RFM-COMBOLOCK	SWINGHANDLE WITH COMBO LOCK

## 4" EXHAUST FANS — for Free Standing Cabinets



Features:

- 2 or 4 fan assemblies available
- 220 CFM (dual fan), 440 CFM (quad fan)
- 115VAC 50/60HZ 22/24W (each fan)
- 230VAC available on request
- c/w Mounting Panels for free standing cabinets

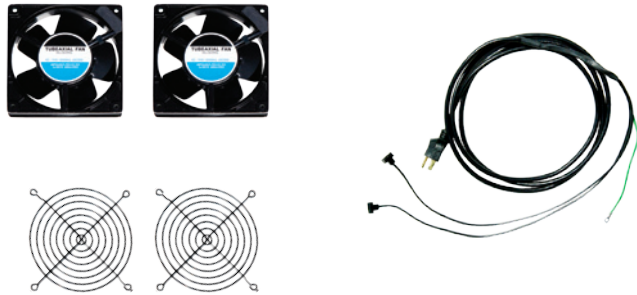
For RFM Series Cabinets...

PART NUMBER	AIRFLOW	
RFM-2-FAN-CAB	220 CFM	Fits 30" wide Cabinet
RFM-4-FAN-CAB	440 CFM	Fits 30" wide Cabinet
RFM-2-FAN-CAB-24	220 CFM	Fits 24" wide Cabinet
RFM-4-FAN-CAB-24	440 CFM	Fits 24" wide Cabinet

For RFM Series CoLocation...

PART NUMBER	AIRFLOW	
RFM-COLO-FAN	220 CFM	Fits 24" & 30" wide Cabinet

## 4" EXHAUST FANS — for Wall Mount Cabinets



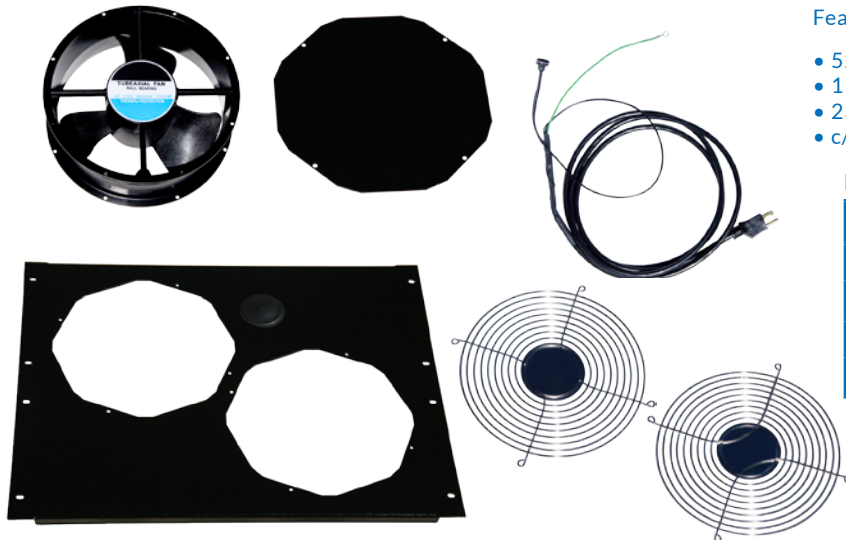
Features:

- 1 or 2 fan assemblies available
- 110 CFM (single fan), 220 CFM (dual fan)
- 115VAC 50/60HZ 22/24W (each fan)
- 230VAC available on request
- Fan(s) attach directly to Wall Mount Cabinet body

For RFM Series Wall Mount Cabinets...

PART NUMBER	AIRFLOW
RFM-1-FAN	110 CFM
RFM-2-FAN	220 CFM

## 10" EXHAUST FAN — for Free Standing Cabinets



Features:

- 525 CFM (Single fan harness)
- 115VAC 50/60HZ 31/32W (each fan)
- 230VAC available on request
- c/w Mounting Panel for free standing cabinets

For RFM Series Cabinets...

PART NUMBER	AIRFLOW	
RFM-10-FAN	525 CFM	Fits 30" wide Cabinet
RFM-10-FAN-2	1050 CFM	Fits 30" wide Cabinet
RFM-10-FAN-24	525 CFM	Fits 24" wide Cabinet
RFM-10-FAN-2-24	1050 CFM	Fits 24" wide Cabinet

## THERMAL MANAGEMENT: CHIMNEY DUCTED SOLUTIONS

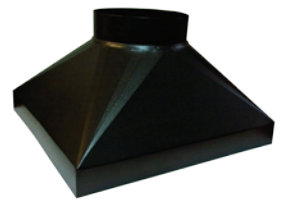


R. F. Mote Chimney Ducted cabinets are typically configured with perforated front door and solid rear door. Top duct work directs hot exhaust air either to the rooms drop ceiling, which acts like a hot plenum, or directly to HVAC ductwork that further directs the airflow to the intakes of the CRAC/CRAH units.

A clear airflow path for hot exhaust air is vital in ensuring that heat is removed from the cabinet. All empty RU spaces should be filled with blanking panels and additional front openings should be sealed with air stop kits.

The space behind installed network equipment should be free and clear of obstructions (cables, power cords, etc.) to avoid restricting hot exhaust air flows. Deeper and wider cabinets will provide more space behind the servers, supplying a sufficient exhaust area to remove the hot air.

Use caution when placing the deepest equipment near the top of the cabinet, as this arrangement can create choke points for the exhaust air.



### Advantages of the Chimney Method:

- Many outside studies suggest that the chimney method lowers cooling system costs by at least 25 percent
- Low initial capital costs; no ongoing maintenance expenses
- The number of CRAC/CRAH units in the data center could be reduced or the future cooling capacities could be increased
- Cabinets do not have to be orientated in hot aisle/cold aisle configurations.
- Since these systems segregate and direct airflows, they improve efficiency and lower operations costs

PART NUMBER	CAT. PAGE#	DESCRIPTION
RFM-30xxxx-US-19	PAGE 1.2.3	PRE-CONFIGURED 30 UNIVERSAL SERVER CABINET
RFM-24xxxx-US-19	PAGE 1.2.3	PRE-CONFIGURED 24 UNIVERSAL SERVER CABINET
RFM-EXFANDUCT series	PAGE 2.1.3	EXHAUST DUCT (ATTACHES TO TOP OF CABINET - ADJUSTABLE HEIGHT)
RFM-EXFANDUCT-8 series	PAGE 2.1.3	EXHAUST DUCT (ATTACHES TO TOP OF CABINET - SQUARE TO ROUND TRANSITION)
RFM-EXFAN series	PAGE 2.1.4	HIGH VOLUME EXHAUST FANS (FOR RFM SERIES 30 and SERIES 24 CABINETS)
RFM-ASK series	PAGE 2.1.5	AIR STOP KITS (FOR RFM SERIES 30 and SERIES 24 CABINETS)
RFM-BP series	PAGE 6.2.2	BLANK PLATES (STEEL OR COMPOSITE MATERIAL)

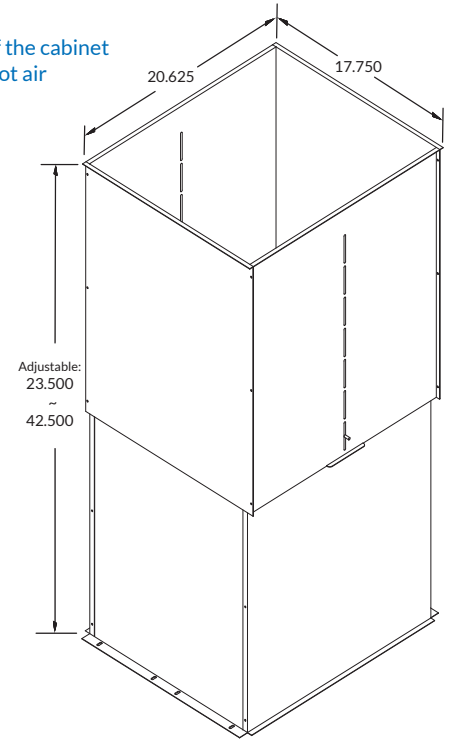


## EXHAUST DUCT: ADJUSTABLE HEIGHT



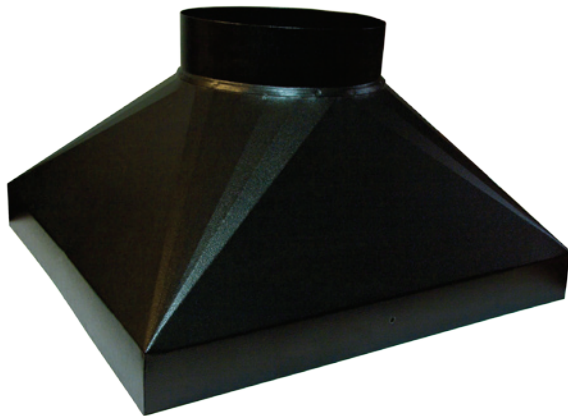
**Features:**

- Prevents exhaust air from circulating over the top of the cabinet
- Prevents warm and cold air mixing by isolating the hot air from the cabinet to the return air plenum
- Mounts on top of cabinet
- Adjustable height
- May be deployed with or without any R.F.Mote cooling fan option
- Durable black textured powder coated finish



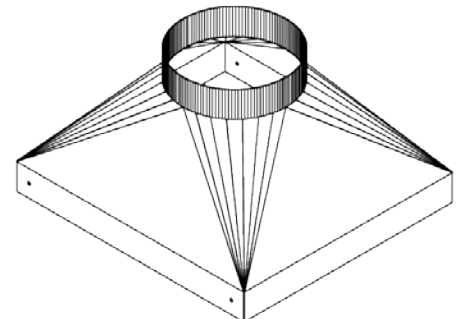
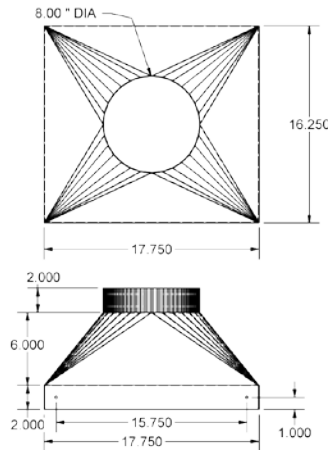
FITS WITH OUR...	PART NUMBER
<ul style="list-style-type: none"> <li>• RFM SERIES 30 CABINETS</li> <li>• RFM SERIES 24 CABINETS</li> </ul>	RFM-EXFAN-DUCT RFM-EXFAN-DUCT-24

## EXHAUST DUCT: SQUARE TO ROUND TRANSITION



**Features:**

- Prevents exhaust air from circulating over the top of the cabinet
- Prevents warm and cold air mixing by isolating the hot air from the cabinet to the return air plenum
- Mounts on top of cabinet
- Square to round transition design
- May be deployed with or without any R.F.Mote cooling fan option
- Use with 8" diameter spiral or flex duct
- Durable black textured powder coated finish



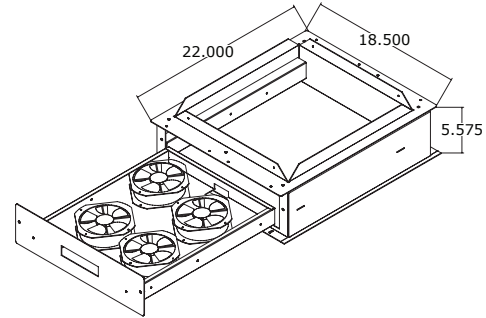
FITS WITH OUR...	PART NUMBER
<ul style="list-style-type: none"> <li>• RFM SERIES 30 CABINETS</li> <li>• RFM SERIES 24 CABINETS</li> </ul>	RFM-EXFAN-DUCT-8 RFM-EXFAN-DUCT-8-24

## EXHAUST FANS: HIGH VOLUME EXHAUST UNIT



### Features:

- High volume exhaust removes warm air from cabinet
- 2-Fan or 4-Fan deployment
- Mounts on top of cabinet
- May be deployed with or without any R.F.Mote cooling fan option
- Durable black textured powder coated finish
- Fan tray slides out for easy service



FITS WITH ANY...	PART NUMBER	DESCRIPTION
• RFM SERIES 30 CABINETS	RFM-EXFAN-2	HIGH VOLUME EXHAUST UNIT 840 CFM (ATTACHES TO TOP OF CABINET)
	RFM-EXFAN-4	HIGH VOLUME EXHAUST UNIT 1680 CFM (ATTACHES TO TOP OF CABINET)
• RFM SERIES 24 CABINETS	RFM-EXFAN-2-24	HIGH VOLUME EXHAUST UNIT 840 CFM (ATTACHES TO TOP OF CABINET)
	RFM-EXFAN-4-24	HIGH VOLUME EXHAUST UNIT 1680 CFM (ATTACHES TO TOP OF CABINET)

## AIRSTOP KITS for RFM SERIES CABINETS

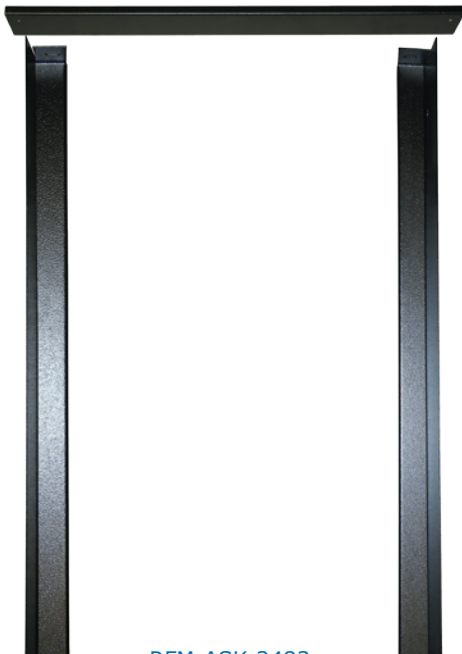
Airstop Brush Kit & Airstop Cover Plate also shown



RFM-ASK-3083

Also shown:

RFM-ASBK (Optional Brush Kit)  
and RFM-ASCP (Cover Plates)



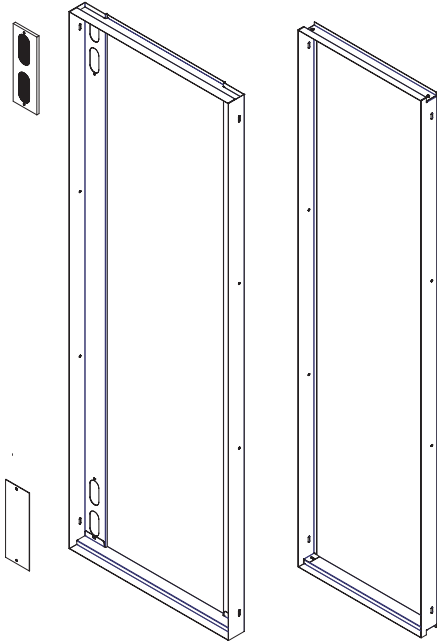
RFM-ASK-2483

### Features:

- Mounts on cabinet cross members
- When using airstop kits, Mounting angles must be positioned between 1.75" to 3.0" from the front of the cabinet
- Durable black textured powder coated finish

### Highlights:

- Brackets prevent air from circulating around installed mounting angles
- Prevents warm and cold air mixing within the cabinet which increases cooling efficiency
- 30" Wide cabinet version comes with cover plates; these can be replaced with optional brush kits (P/N# RFM-ASBK) which allow cables to be passed through from the front to the rear of the cabinet



RFM-ASK-3083

RFM-ASK-2483

PART NUMBER	FITS OUR...
RFM-ASK-3090	30"W x 90"H RFM SERIES CABINET
RFM-ASK-3083	30"W x 83"H RFM SERIES CABINET
RFM-ASK-2490	24"W x 90"H RFM SERIES CABINET
RFM-ASK-2483	24"W x 83"H RFM SERIES CABINET
OPTIONS:	
RFM-ASBK	RFM-ASK-30xx
RFM-ASCP	RFM-ASK-30xx

## AISLE CONTAINMENT

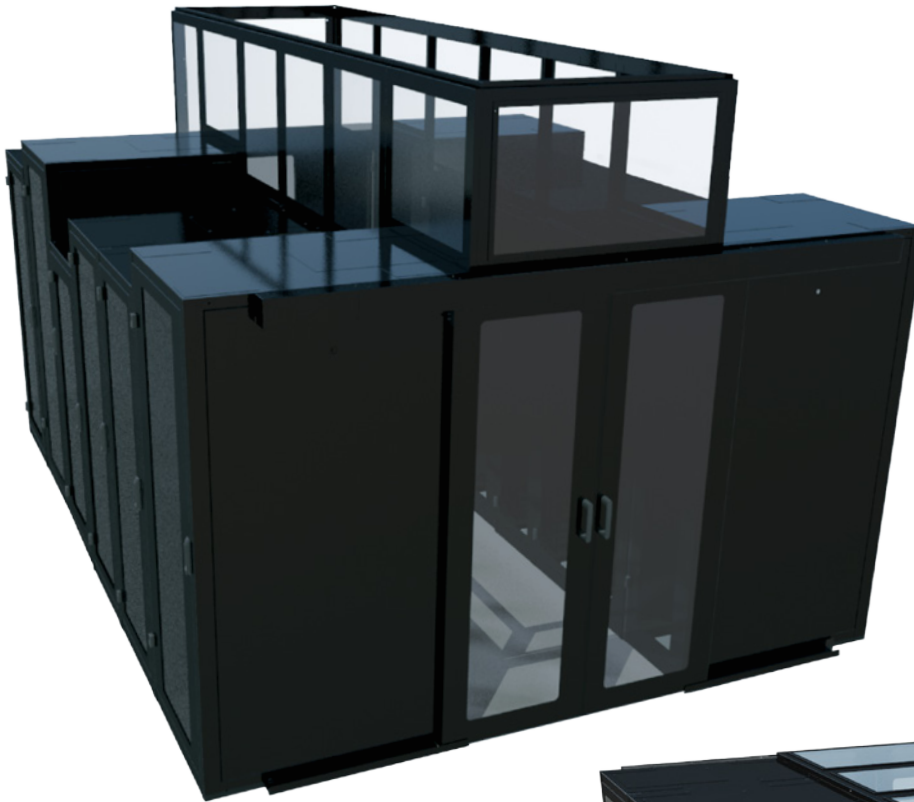
R.F. Mote has a built a reputation for solving complex problems with both standard and customized products. Our Aisle Containment Solutions are designed to personalize virtually any containment strategy. Consult factory for further information regarding your specific application.

### Hot Aisle Containment (HAC)

R.F.Mote Hot Aisle Containment (HAC) Solutions - Hot air exhaust from IT equipment is isolated in the hot aisle and directed back to the CRAC/CRAH.

### Cold Aisle Containment (CAC)

R.F.Mote Cold Aisle Containment (CAC) Solutions - Targets cooling installed IT equipment instead of the room by isolating the cold air supply and confining it to an enclosed area.

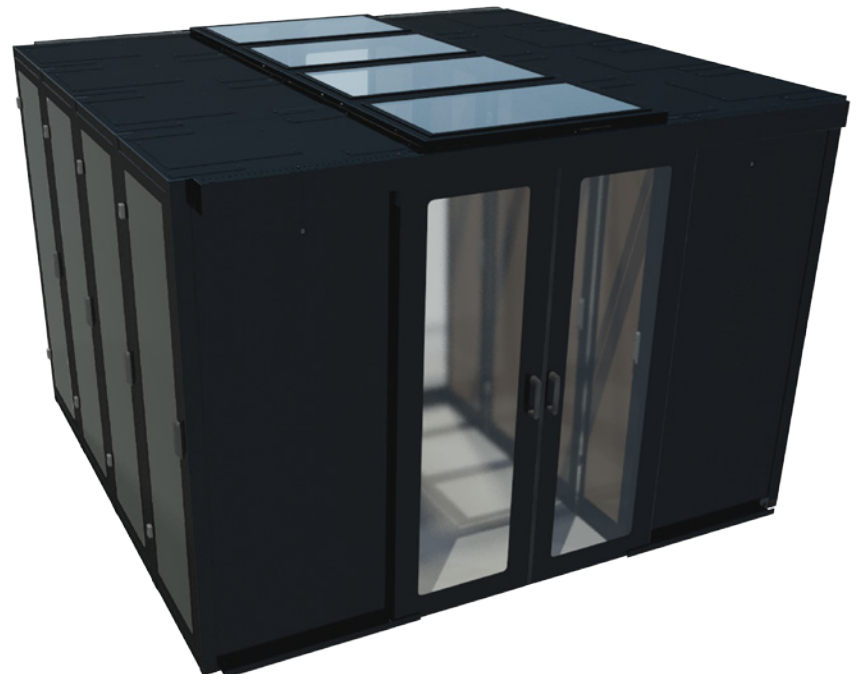


### Standard Features:

- Contain Hot or Cold aisle
- Prevent air mixing
- Block air escape routes
- Improve efficiency
- Fits ANY RFM Series Cabinets as well as RFM Series Fortress cabinets
- Modular design for future expansion
- Customizable solution for 3rd party cabinets
- Standard colour is *textured black powdercoat*
- Custom colours (e.g. RAL 7035) also available

### Cabinet To Ceiling Panels:

- Available as solid steel panels or
- Available steel frame with clear inserts<sup>1</sup>
- Containment panels enclose the area above cabinets and span from top of cabinet to ceiling
- Standard colour is *textured black powdercoat*
- Custom colours (e.g. RAL 7035) also available



### End of Row Doors:

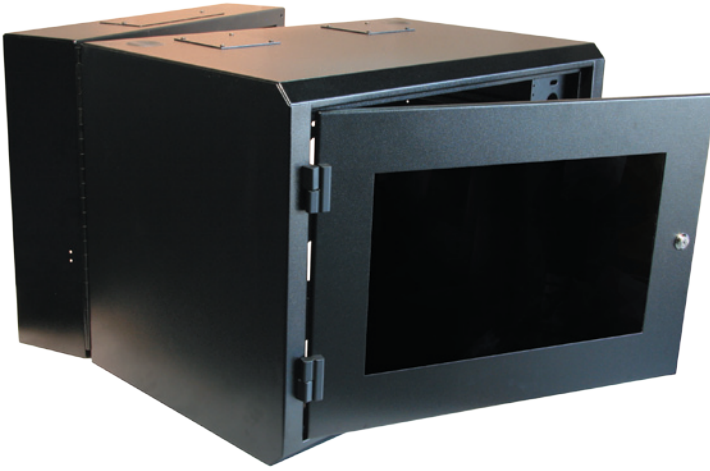
- Available Sliding, Dual Sliding, or Swing Door
- Doors are available manual or self closing
- Doors c/w clear inserts<sup>1</sup>
- Standard colour is *textured black powdercoat*
- Custom colours (e.g. RAL 7035) also available

### Over Aisle Ceiling Panels c/w Clear inserts:

- Contain aisle by enclosing space between cabinet rows
- Over Aisle Ceiling panels may be equipped with exhaust ducts, openings for fire suppression systems, or HVAC
- Available steel frame with clear inserts<sup>1</sup>
- Standard colour is *textured black powdercoat*
- Custom colours (e.g. RAL 7035) also available

<sup>1</sup> clear inserts are *UL 94 Fire Rated*

## 30" WIDE WALL MOUNT CABINETS



R. F. Mote Wall Mount Cabinets are available in various sizes and all c/w lockable, smoked acrylic<sup>1</sup> front door and one pair of adjustable 19" EIA mounting rails.

### Standard Features:

- Heavy gauge steel
- All welded construction
- Static Load capacity: up to 300LBS
- 30"(W) x 20"(D) footprint
- Provisions for fans and cable access
- Lockable, smoked acrylic<sup>1</sup> front door
- 1 Pair of mounting rails, 19" EIA spacing, tapped #10-32
- Unit accommodates equipment up to 18" Deep  
(with extender, usable depth increases to 24" Deep)
- Open back style for quick access to installed equipment
- Units are hinged and are field reversible and pivot off the wall to allow easy access to the rear of the cabinet
- Optional extender bracket adds 6" to cabinet depth and c/w multiple cable access holes
- Durable textured powder coated finish
- Standard colour is all black
- Additional mounting rails available
- Optional perforated door available

### WALLMOUNT CABINET

PART NUMBER	A	B	C	#of U's
RFM-3022-WM-20	30.00	20.00	22.25	10U
RFM-3036-WM-20	30.00	20.00	36.25	18U
RFM-3048-WM-20	30.00	20.00	48.00	25U

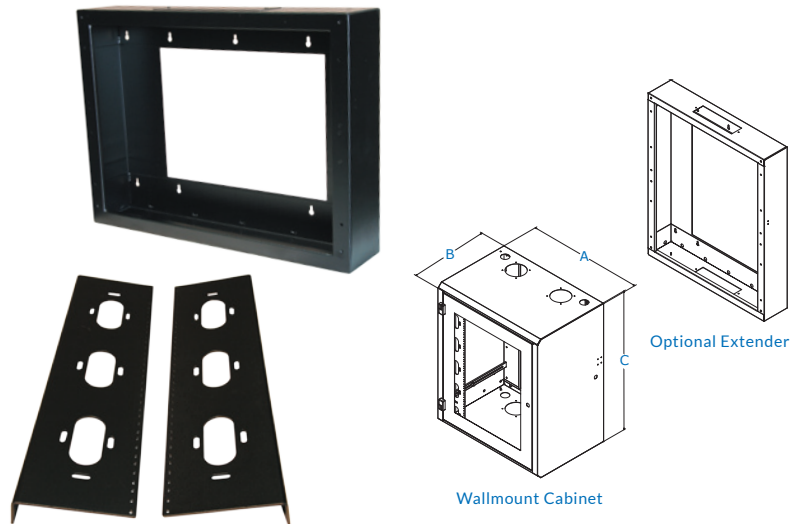
### 6" CABINET EXTENDER

PART NUMBER		WALLMOUNT CABINET
RFM-3022-WM-6X	Fits with...	RFM-3022-WM-20
RFM-3036-WM-6X	Fits with...	RFM-3036-WM-20
RFM-3048-WM-6X	Fits with...	RFM-3048-WM-20

### MOUNTING RAILS

PART NUMBER		WALLMOUNT CABINET
RFM-3022-WM-MA	Fits with...	RFM-3022-WM-20
RFM-3036-WM-MA	Fits with...	RFM-3036-WM-20
RFM-3048-WM-MA	Fits with...	RFM-3048-WM-20

<sup>1</sup> inserts are UL 94 Fire Rated



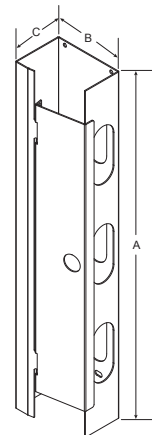
## VERTICAL CABLE MANAGER FOR WALL MOUNT CABINETS



### Features:

- Heavy gauge steel
- Mounts to front of 30" wide R. F. Mote Wall Mount Cabinet mounting angle
- Durable textured powder coated finish
- Standard colour is all black

PART NUMBER	A	B	C	Fits with...
RFM-322-VCM	21.00	4.25	3.03	RFM-3022-WM-20
RFM-336-VCM	35.00	4.25	3.03	RFM-3036-WM-20
RFM-348-VCM	47.00	4.25	3.03	RFM-3048-WM-20



## LOW PROFILE WALL MOUNT CABINETS

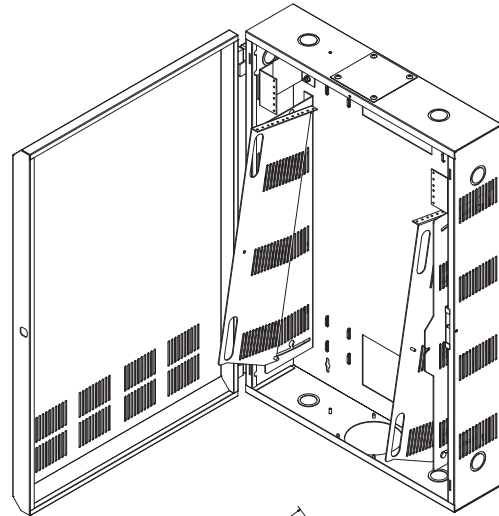


### Standard Features:

- Heavy gauge steel
- Low profile design and vert. racking, provides 26" depth
- 19" EIA standard
- Rack rails pivot out, from the top or from the bottom of the body, to allow easy access to equipment
- Cable access openings and multiple lacing points provided
- Provision in bottom for cooling fan
- Vented lockable door
- Multiple knockouts accommodate 1" And 1.25" Conduit (provided in top, bottom, and sides)
- Durable textured powder coated finish
- Standard colour is all black
- Custom colours and sizes available upon request

### Highlights:

- Optional 2u patch panel mounting brackets available. (Provides an additional 2u mounting)  
P/N# RFM-LP-2U-BRKT

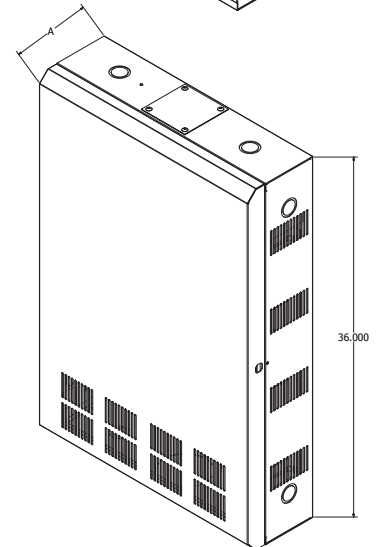
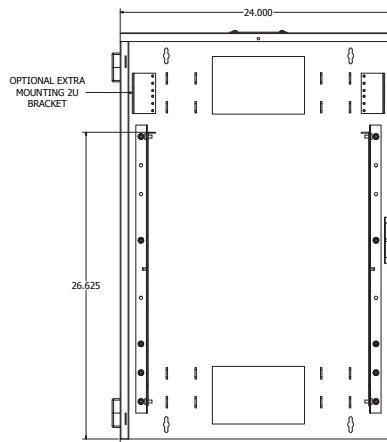


### LOW PROFILE WALLMOUNT CABINET

PART NUMBER	A	#of U's
RFM-2436-WM-LP-4U	7.50	4U
RFM-2436-WM-LP-6U	11.00	6U

### 2U PATCH PANEL MOUNTING BRACKET

PART NUMBER	#of U's	FITS WITH P/N
RFM-LP-2U-BRKT	2U	RFM-2436-WM-LP-4U RFM-2436-WM-LP-6U

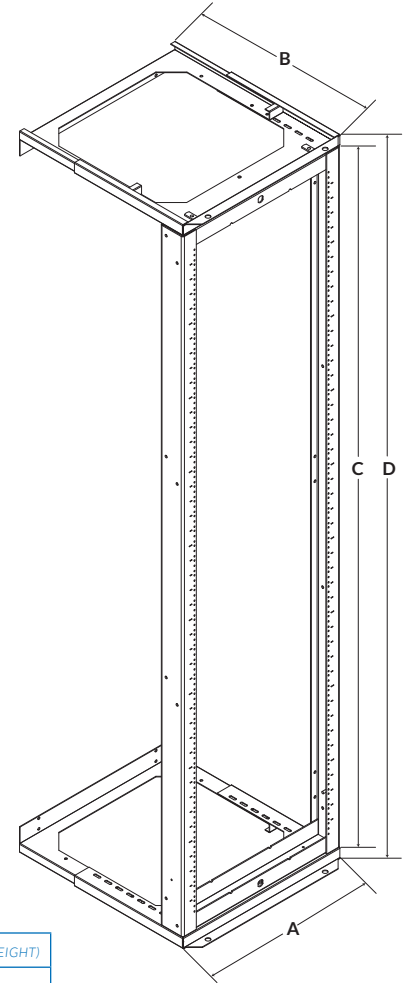


## SWING-OUT RACK: 44U & 38U



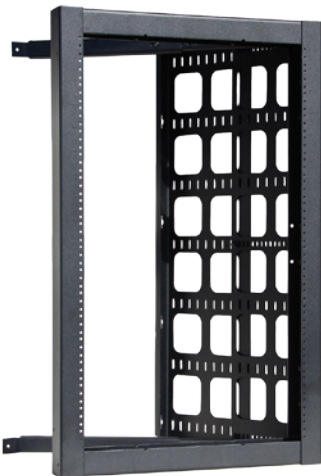
**Features:**

- Heavy gauge steel
- All welded construction
- Stamped "U" markings
- Rack tapped #10-32 UNF to EIA Standard pattern
- Cage-nut style available
- 19" EIA equipment mounting
- Swings out for access to rear of installed equipment
- Vertical CMS option (see Page 4.1.5)
- Wet painted black to avoid clogged threads
- Adjustable depth: 15.00" To 27.00"
- Field reversible
- Top bolts to wall
- Base sits on floor



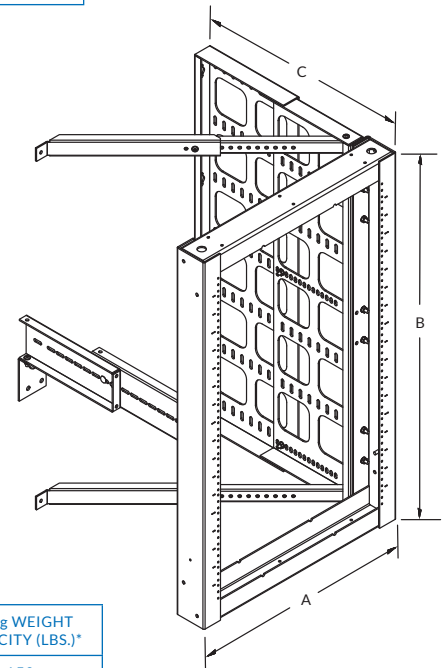
PART NUMBER	A (OVERALL WIDTH)	B (ADJUSTABLE)	C (RACK HEIGHT)	D (OVERALL HEIGHT)
RFM-1944-RSO-ADJ	21.50 (19" EIA MOUNT)	15.00 ~ 27.00	82.75 (44U)	85.56
RFM-1938-RSO-ADJ	21.50 (19" EIA MOUNT)	15.00 ~ 27.00	72.18 (38U)	75.00

## WALL MOUNT SWING-OUT RACK: 18U



**Features:**

- Heavy gauge steel
- Stamped "U" markings
- Rack tapped #10-32 UNF to EIA Standard pattern
- Swings out for access to rear
- 19" EIA equipment mounting
- Vertical CMS option (see Page 4.1.5)
- Wet painted black to avoid clogged threads
- Adjustable depth: 15.00" To 21.00"
- Field reversible



PART NUMBER	A	B	C (ADJUSTABLE)	# of U's	FIXED WEIGHT CAPACITY (LBS.)*	Swing WEIGHT CAPACITY (LBS.)*
RFM-1918-RWS-ADJ	21.50 (19" EIA MOUNT)	35.50	15.00 ~ 21.00	18U	150	150

\* Weight distributed evenly

## WALL MOUNT FIXED RACK: 18U

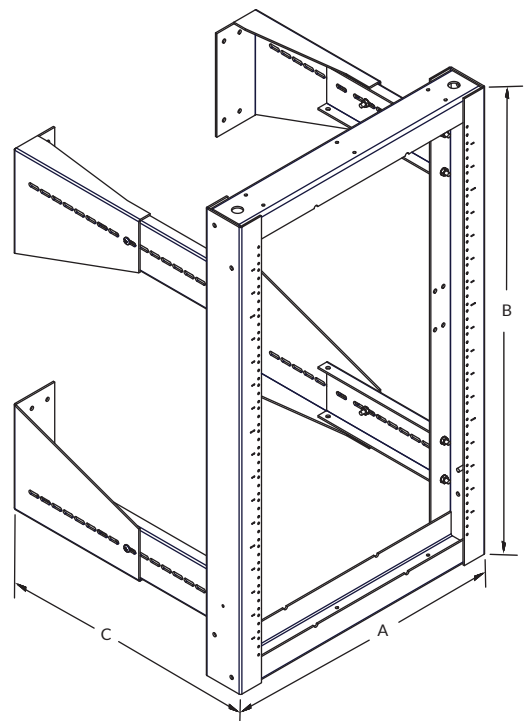


Features:

- Heavy gauge steel
- Stamped "U" markings
- Rack tapped #10-32 UNF to EIA Standard pattern
- 19" EIA equipment mounting
- Vertical CMS option (see page 4.1.5)
- Wet painted black to avoid clogged threads

Highlights:

- Adjustable depth: 14.00" To 21.00"

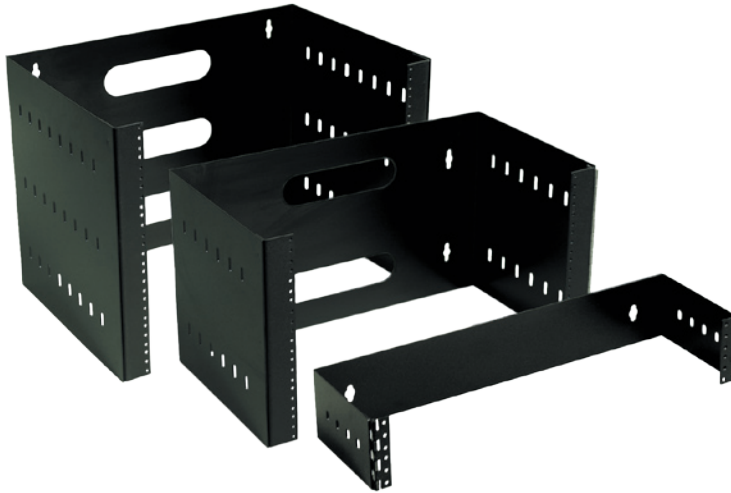


PART NUMBER	A	B	C (ADJUSTABLE)	# of U's	FIXED WEIGHT CAPACITY (LBS.)*
RFM-1918-RWF-ADJ	21.50 (19" EIA MOUNT)	35.50	14.00 ~ 21.00	18U	300

\* Weight distributed evenly



## WALL MOUNT BRACKETS



**Features:**

- Heavy gauge steel
- Rails are tapped #10-32 to EIA standard
- Standard 19" mounting
- Cable tie slots provided in side walls
- Durable textured powder coated finish
- Rails are wet painted to avoid clogged threads

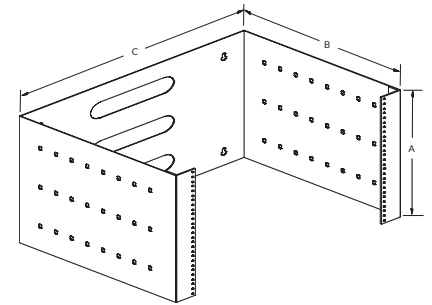
**Highlights:**

- Access slots provided in rear face

	PART NUMBER	A	B	C	# of U's	FIXED WEIGHT CAPACITY (LBS.)**	SWING WEIGHT CAPACITY (LBS.)**
NON-HINGED	RFM-1904-WMB	7.00	6.00	21.50	4U	100	N/A
NON-HINGED	RFM-1906-WMB*	10.50	9.00 ~ 15.00	21.50	6U	125	N/A
NON-HINGED	RFM-1906-WMB-22*	10.50	16.00 ~ 22.00	21.50	6U	125	N/A
NON-HINGED	RFM-1909-WMB*	15.75	9.00 ~ 15.00	21.50	9U	125	N/A
NON-HINGED	RFM-1911-WMB-22*	19.25	16.00 ~ 22.00	21.50	11U	125	N/A
HINGED	RFM-1902-HWMB	3.50	6.00	19.75	2U	80	4
HINGED	RFM-1906-HWMB*	10.50	9.00 ~ 15.00	21.50	6U	125	6
HINGED	RFM-1906-HWMB-22*	10.50	16.00 ~ 22.00	21.50	6U	125	4
HINGED	RFM-1909-HWMB*	15.75	9.00 ~ 15.00	21.50	9U	125	8
HINGED	RFM-1911-HWMB-22*	19.25	16.00 ~ 22.00	21.50	11U	125	8

\* Adjustable depth

\*\* Weight distributed evenly



## WALL OR CEILING MOUNT BRACKETS

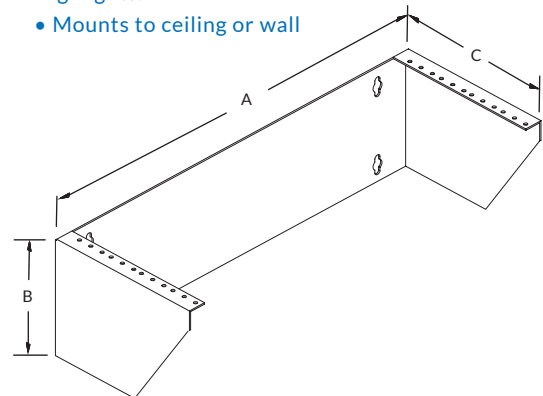


**Features:**

- Heavy gauge steel
- Mounting holes tapped #10-32 to EIA standard
- Standard 19" mounting

**Highlights:**

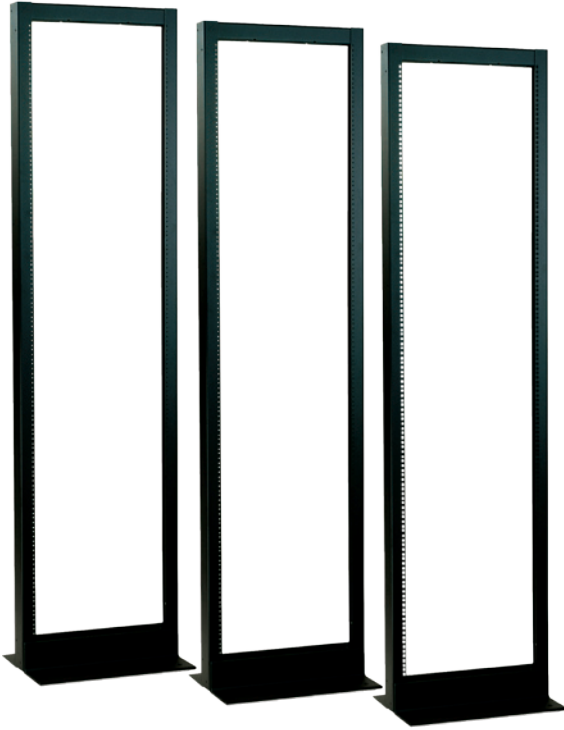
- Mounts to ceiling or wall



PART NUMBER	A	B	C	# of U's	FIXED WEIGHT CAPACITY (LBS.)**
RFM-CMPB-6U-12	19.50	6.00	12.00	6U	100
RFM-CMPB-4U-7	19.50	6.00	7.125	4U	100
RFM-CMPB-2U-4	19.50	6.00	4.00	2U	100

\*\* Weight distributed evenly

## TWO POST RACK



### Features:

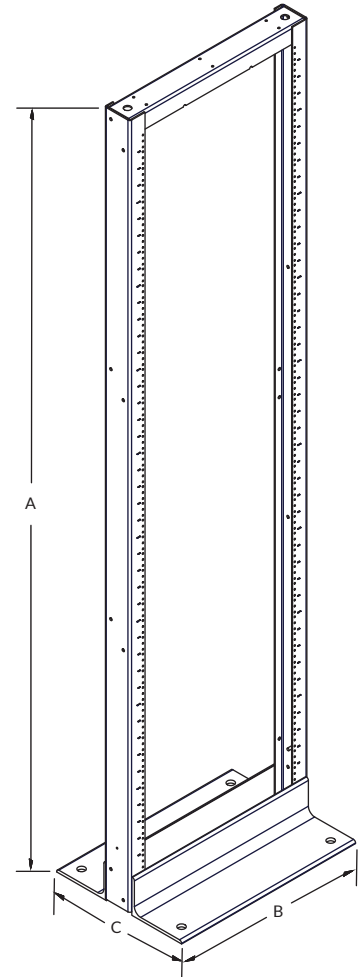
- 11 gauge steel frame
- Structural steel floor angles, 5/16" thick, c/w holes to bolt to floor
- Various heights available: 24U / 38U / 44U / 48U
- Stamped 'U' markings
- 19", 23" and 24" mounting available
- Load capacity : 2000 lbs
- c/w 1 integrated ground stud 1/4-20 thread x 3/4" length
- c/w (2x) 0.750" DIA holes in top
- All welded construction

### Highlights:

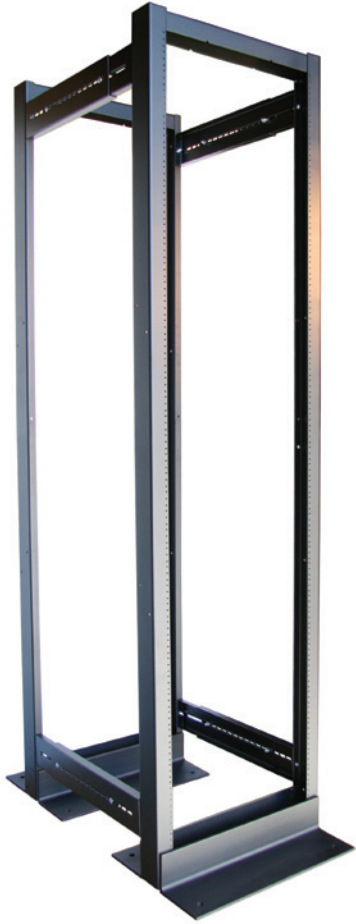
- Tapped Rack: Holes tapped #10-32 UNF to EIA standard
- Wet painted black to avoid clogged threads
- Cage-Nut Rack: 0.375" X 0.375" Square holes for cage nuts and server rails
- Optionally available as bolt-together units
- Vertical CMS option (see Pages 4.1.5 thru 4.1.7)
- Optional heavy duty kits increase footprint to 36"
- Custom sizes available on request

Tapped #10-32 – Tapped one side & Tapped both sides						
	Tapped: one side	Tapped: both sides	A	B	C	# of U's
19" EIA Mount	RFM-1948-RB	RFM-1948-RB-TBS	90.00	21.50	15.00	48U
	RFM-1944-RB	RFM-1944-RB-TBS	83.00	21.50	15.00	44U
	RFM-1938-RB	RFM-1938-RB-TBS	72.50	21.50	15.00	38U
	RFM-1924-RB	RFM-1924-RB-TBS	48.00	21.50	15.00	24U
23" EIA Mount	RFM-2348-RB	RFM-2348-RB-TBS	90.00	25.50	15.00	48U
	RFM-2344-RB	RFM-2344-RB-TBS	83.00	25.50	15.00	44U
	RFM-2338-RB	RFM-2338-RB-TBS	72.50	25.50	15.00	38U
	RFM-2324-RB	RFM-2324-RB-TBS	48.00	25.50	15.00	24U

Cage nut Style – Single side & Double sides						
	Cage Nut: one side	Cage Nut: both sides	A	B	C	# of U's
19" EIA Mount	RFM-1948-RB-SQ	RFM-1948-RB-TBS-SQ	90.00	21.50	15.00	48U
	RFM-1944-RB-SQ	RFM-1944-RB-TBS-SQ	83.00	21.50	15.00	44U
	RFM-1938-RB-SQ	RFM-1938-RB-TBS-SQ	72.50	21.50	15.00	38U
	RFM-1924-RB-SQ	RFM-1924-RB-TBS-SQ	48.00	21.50	15.00	24U
23" EIA Mount	RFM-2348-RB-SQ	RFM-2348-RB-TBS-SQ	90.00	25.50	15.00	48U
	RFM-2344-RB-SQ	RFM-2344-RB-TBS-SQ	83.00	25.50	15.00	44U
	RFM-2338-RB-SQ	RFM-2338-RB-TBS-SQ	72.50	25.50	15.00	38U
	RFM-2324-RB-SQ	RFM-2324-RB-TBS-SQ	48.00	25.50	15.00	24U



## FOUR POST RACK KIT



### Features:

Bracket kit converts two 2 post racks into one 4 post assembly.

Designed for use where the security of a cabinet is not required or in high density applications where the volume of cabling requires more cable management than what can be accommodated inside a cabinet.

With a load capacity of 2000 lbs, the four post rack provides the stability of a cabinet while maintaining the accessibility of an open rack. The unit is made up of 2 two post racks and a bracket set which joins the racks together. Brackets provide adjustable depth of 25 1/2" to 42" rail to rail.

### Highlights:

Modular overhead troughing is available to run cables across the top of the racks and from the front rack to the back and may be used to span various racks and cable managers. Units may be added at anytime after the initial installation with ease.

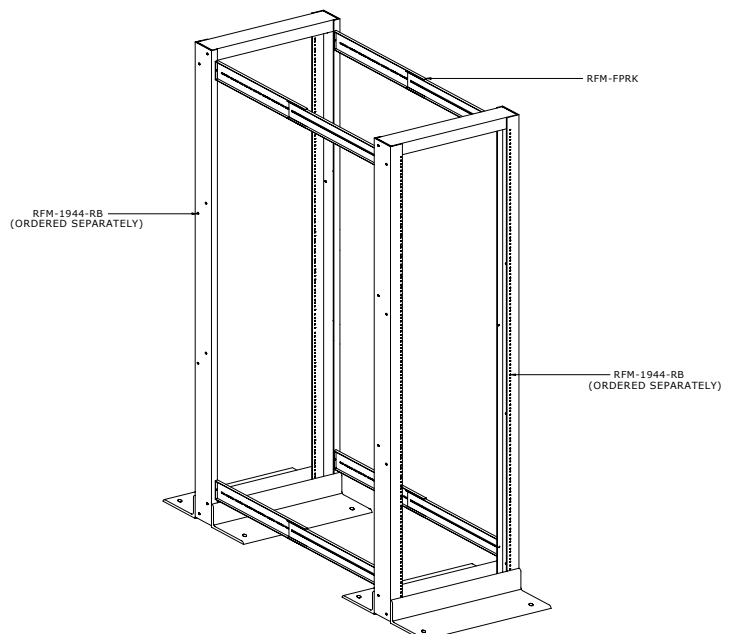
All R.F.Mote vertical and horizontal cable management may be used with this unit as well as all rack mount shelving (*2-point and 4-point*), power bars, and rack doors.

Additionally, the four post brackets act as depth members and facilitate the use of all R.F.Mote 83" height cabinet vertical cable management and powerbars. Units may also be equipped with our rack door for added security and appearance.

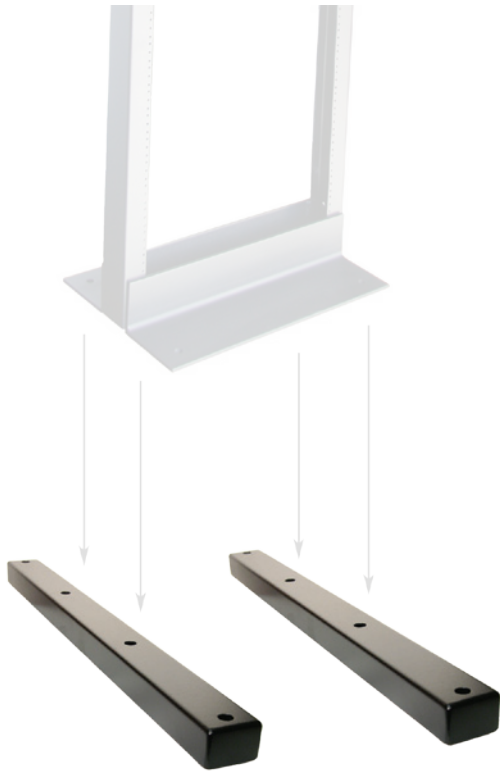
Modular design allows the end user to convert a currently installed two post rack to a four post rack.

PART NUMBER	Adj. Depth
RFM-FPRK	25.50 ~ 42.00

For two post racks, see page 4.1.1



## HEAVY DUTY RACK KIT

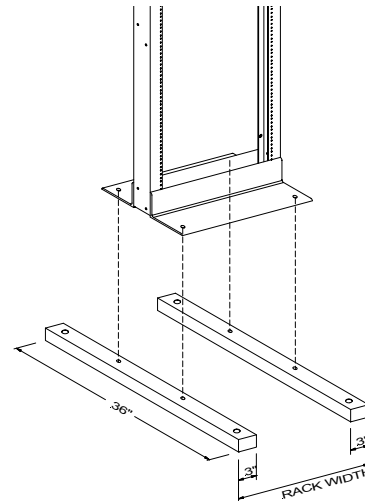


### Features:

- Increase rack footprint for added stability when rack is not bolted to floor, or is on casters
- Heavy gauge steel frame
- Bolt-on stabilizing bars
- Adjustable feet
- Fits all R.F.Mote racks
- Durable black textured powder Coated finish

### Highlights:

- Caster sets available
- Large footprint for stability



PART NUMBER	A	B
RFM-RHD-KIT	36.00	3.00

For two post racks, see page 4.1.1

## RACK DOOR



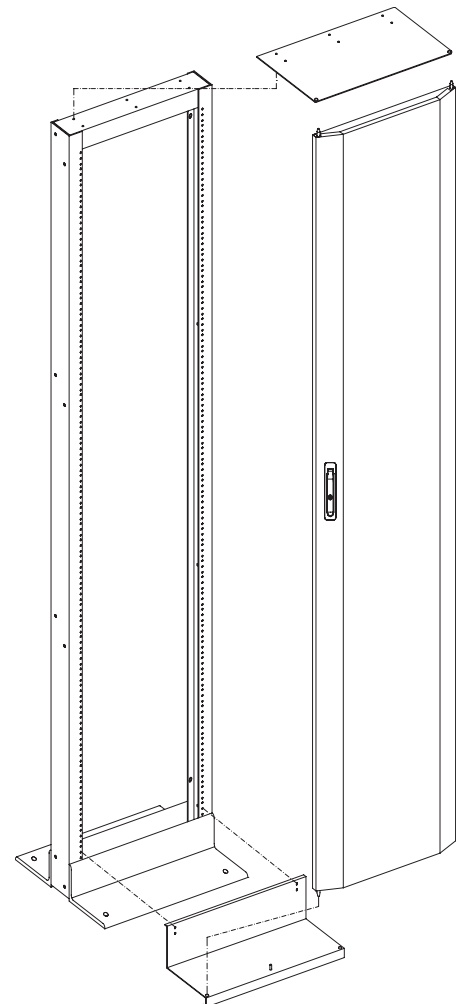
### Features:

- Provides added security by restricting access to equipment and patch cords
- Prevents accidental removal of patch cords
- Heavy gauge steel
- All welded construction
- Unit designed for use with all R.F.Mote 19" x 44U racks
- Solid or perforated door available
- Custom sizes available on request
- Durable black textured powder coated finish

### Highlights:

- Adds a clean finished look to an installation
- Field reversible door c/w lockable 2-Point handle
- Electronic and Combination lock options available

Fits all our..	Part number	Description	# of U's
19" x 44U RACKS	RFM-RD-19	Solid	44U
19" x 44U RACKS	RFM-RD-19-P	Perforated	44U



## RACK MOUNT SECURITY DOOR



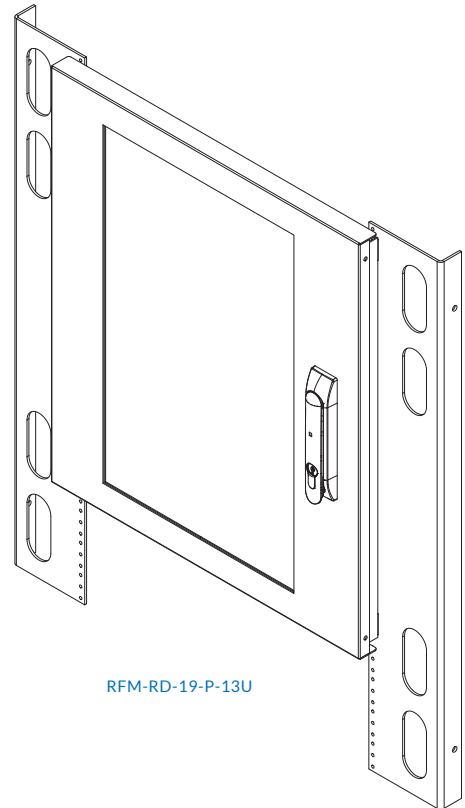
### Features:

- Heavy gauge steel
- Designed for use with all R.F.Mote 19" EIA Racks *and* Cabinets
- 23" EIA available on request
- Economical solution to secure space or devices within Rack or Cabinet
- Zero-U Mounting Brackets install over existing equipment
- Comes equipped with standard swing handle lock
- Swing handle options include:
  - Combination Lock
  - Padlock Handle
  - Electronic Locks

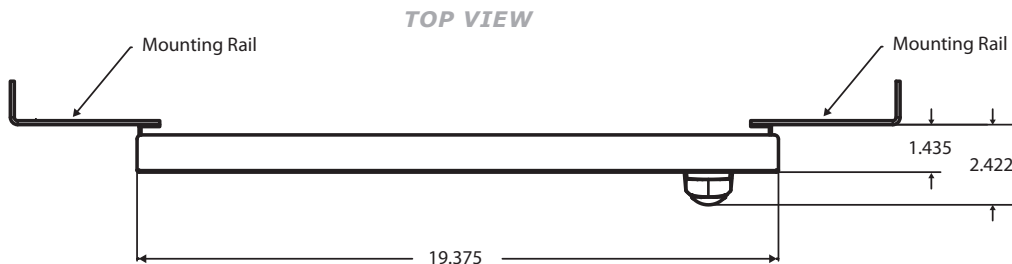
### Highlights:

- Available Perforated or with Smoked Acrylic inserts

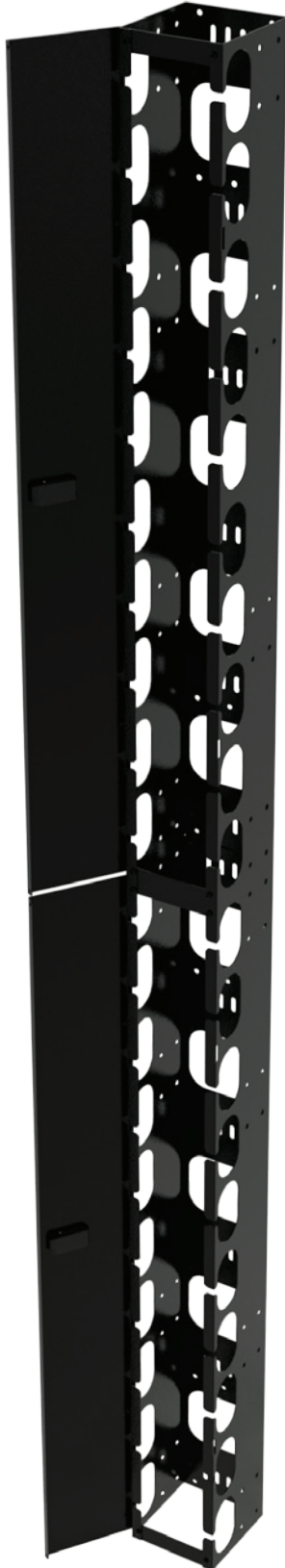
Part number	Description	# of U's
RFM-RD-19-1-6U	Smoked Acrylic	6U
RFM-RD-19-1-10U	Smoked Acrylic	10U
RFM-RD-19-1-13U	Smoked Acrylic	13U
RFM-RD-19-P-6U	Perforated	6U
RFM-RD-19-P-10U	Perforated	10U
RFM-RD-19-P-13U	Perforated	13U



RFM-RD-19-P-13U



## RACK VERTICAL CABLE MANAGERS



### Features:

- Heavy gauge steel
- Designed for use with all R.F.Mote Server Racks (see page 4.1.1) and R.F.Mote Wall Mount racks (see page 3.1.3 and 3.1.4)
- 38U, 44U, and 48U ship as 2-Piece body assembly: joins together to form single body
- 18U and 24U ship as Single body assembly with single door

### Highlights:

- Slots cut in front portion of the manager allow for easy removal of cables after installation
- Removable cable retainer brackets
- Doors are: easy to remove, latch closed, and reversible
- Durable black textured powder coated finish, additional colours available on request
- D-Rings and Cable Spools may be added to further manage cable bundles inside and outside manager (see page 6.2.1)

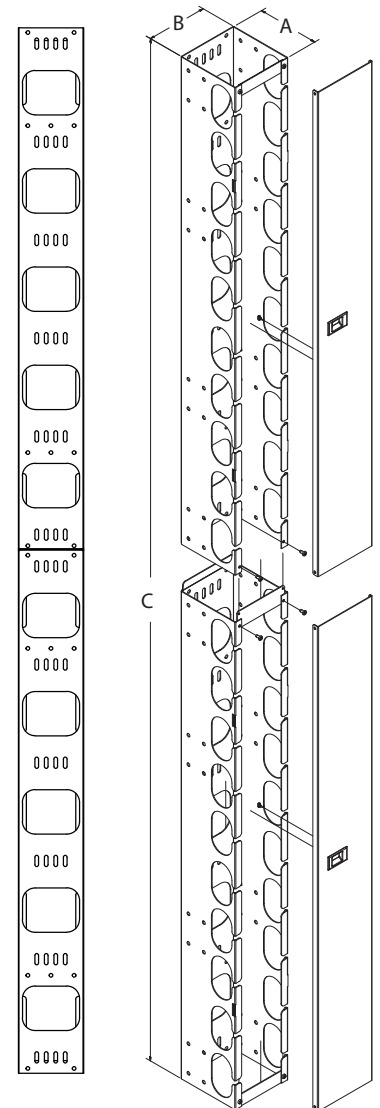
Vertical cable manager: 5" and 8" wide, various heights					
Fits our...	Part number	A	B	C	# of U's
44U Racks	RFM-RVCM-B	5.43	5.15	82.50	44U
44U Racks	RFM-RVCMG-B	5.43	8.15	82.50	44U
38U Racks	RFM-RVCM-B-72	5.43	5.15	72.00	38U
38U Racks	RFM-RVCMG-B-72	5.43	8.15	72.00	38U
24U Racks	RFM-RVCM-B-48	5.43	5.15	48.00	24U

Vertical cable manager: 10" and 12" wide, 44U height					
Fits our...	Part number	A	B	C	# of U's
44U Racks	RFM-RVCM-B-10	5.43	10.00	82.50	44U
44U Racks	RFM-RVCM-B-12	5.43	12.00	82.50	44U

Vertical cable manager: 5", 8", and 10" wide, 48U height					
Fits our...	Part number	A	B	C	# of U's
48U Racks	RFM-RVCM5-48	5.43	5.00	89.50	48U
48U Racks	RFM-RVCM8-48	5.43	8.00	89.50	48U
48U Racks	RFM-RVCM10-48	5.43	10.00	89.50	48U

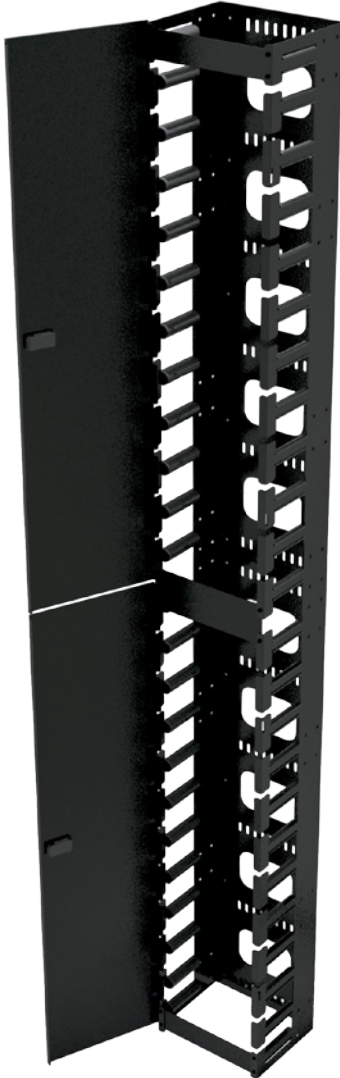
Wall mount rack vertical cable manager, 18U height					
Fits our...	Part number	A	B	C	# of U's
18U Racks (Wall Mount)	RFM-RVCM-B-RWF	5.43	5.15	35.00	18U

Typical view on rear surface



RFM-RVCM series feature 2-piece body assembly (38U, 44U, 48U) and all Door(s) removable and reversible

## HIGH DENSITY VERTICAL CABLE MANAGERS FOR RACKS: Finger Style 2U spacing

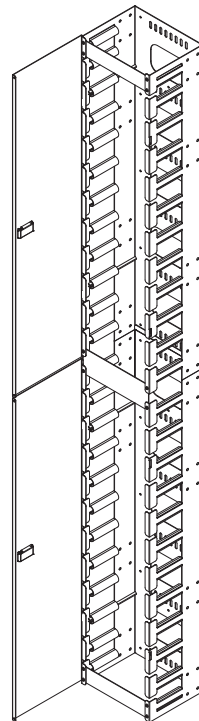


### Features:

- Heavy gauge steel
- Designed for use with all R.F.Mote 38U, 44U, and 48U Server Racks (*see page 4.1.1*)
- Cable managers ship as 2-Piece body assembly: joins together to form single body
- Large footprint allows for large volume of cabling
- Fingers support cables and provide for gentle bend radius
- 3 models available: Single side, Double sided, or Single side with D-Rings on rear
- Cable Spools may be added to assist managing cable bundles (*see page 6.2.1*)
- Segregation Brackets may be installed to separate Fiber cables from Patch cords (*see page 6.2.1*)

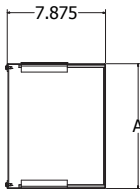
### Highlights:

- Removable cable retainer brackets
- Fingers spaced every 2U
- Slots cut in front portion of the manager allow for easy removal of cables after installation
- Doors (2) are: easy to remove, latch closed, and reversible
- Durable black textured powder coated finish, additional colours available on request



RFM-RVCM-HD10

Top view of RVCM-HDxx



### RFM-RVCM-HD series: 2U finger spacing

Part number	A	# of U's
RFM-RVCM-HD-6-48	6.00	48U
RFM-RVCM-HD-8-48	8.00	48U
RFM-RVCM-HD-10-48	10.00	48U
RFM-RVCM-HD-12-48	12.00	48U
RFM-RVCM-HD-6	6.00	44U
RFM-RVCM-HD-8	8.00	44U
RFM-RVCM-HD-10	10.00	44U
RFM-RVCM-HD-12	12.00	44U
RFM-RVCM-HD-6-72	6.00	38U
RFM-RVCM-HD-8-72	8.00	38U
RFM-RVCM-HD-10-72	10.00	38U
RFM-RVCM-HD-12-72	12.00	38U

### Segregation Bracket Kit

Part number	# of Brackets
RFM-HD-SEG-KIT	6

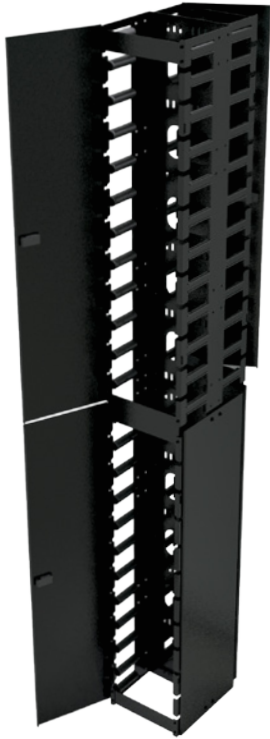
### Cable Spool

Part number	# of Pieces
RFM-CS	10
RFM-CS4	10

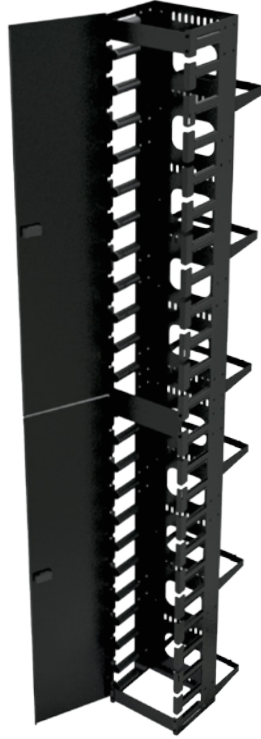




## HIGH DENSITY VERTICAL CABLE MANAGERS FOR RACKS: Finger Style 2U spacing



RFM-RVCM-HDxx-DS  
Shown with optional End Panel



RFM-RVCM-HDxx-DR  
Shown with D-Rings installed

### Features:

- Heavy gauge steel
- Designed for use with all R.F.Mote 38U, 44U, and 48U Server Racks (see page 4.1.1)
- Managers ship as 2-Piece body assembly: joins together to form single body
- Large footprint allows for large volume of cabling
- Fingers support cables and provide for gentle bend radius
- 3 models available: Single side, Double sided, or Single side with D-Rings on rear
- Optional End Panels available for Double Sided (-DS) model
- Cable Spools may be added to assist managing cable bundles (see page 6.2.1)
- Segregation Brackets may be installed to separate Fiber cables from Patch cords (see page 6.2.1)

### Highlights:

- Removable cable retainer brackets
- Fingers spaced every 2U
- Slots cut in front portion of the manager allow for easy removal of cables after installation
- Doors (2) are: easy to remove, latch closed, and reversible
- Durable black textured powder coated finish, add'l colours available on request

### RFM-RVCM-HD series, 2U finger spacing:

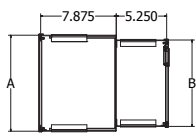
#### c/w Double Sided cable management

Part number	A	# of U's
RFM-RVCM-HD-6-DS-48	6.00	48U
RFM-RVCM-HD-8-DS-48	8.00	48U
RFM-RVCM-HD-10-DS-48	10.00	48U
RFM-RVCM-HD-12-DS-48	12.00	48U
RFM-RVCM-HD-6-DS	6.00	44U
RFM-RVCM-HD-8-DS	8.00	44U
RFM-RVCM-HD-10-DS	10.00	44U
RFM-RVCM-HD-12-DS	12.00	44U
RFM-RVCM-HD-6-DS-72	6.00	38U
RFM-RVCM-HD-8-DS-72	8.00	38U
RFM-RVCM-HD-10-DS-72	10.00	38U
RFM-RVCM-HD-12-DS-72	12.00	38U

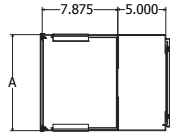
#### c/w 6 D-Rings on rear of VCM

Part number	A	# of U's	Qty. DRings
RFM-RVCM-HD-6-DR-48	6.00	48U	6 Pcs.
RFM-RVCM-HD-8-DR-48	8.00	48U	6 Pcs.
RFM-RVCM-HD-10-DR-48	10.00	48U	6 Pcs.
RFM-RVCM-HD-12-DR-48	12.00	48U	6 Pcs.
RFM-RVCM-HD-6-DR	6.00	44U	6 Pcs.
RFM-RVCM-HD-8-DR	8.00	44U	6 Pcs.
RFM-RVCM-HD-10-DR	10.00	44U	6 Pcs.
RFM-RVCM-HD-12-DR	12.00	44U	6 Pcs.
RFM-RVCM-HD-6-DR-72	6.00	38U	6 Pcs.
RFM-RVCM-HD-8-DR-72	8.00	38U	6 Pcs.
RFM-RVCM-HD-10-DR-72	10.00	38U	6 Pcs.
RFM-RVCM-HD-12-DR-72	12.00	38U	6 Pcs.

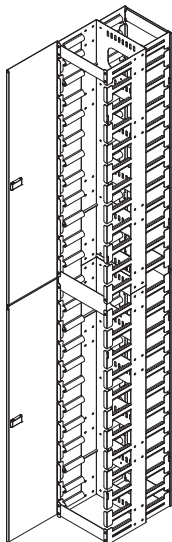
### Top views of RVCM-HDxx



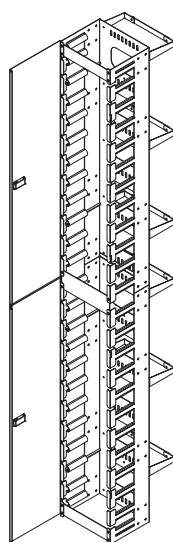
RFM-RVCM-HDxx-DS



RFM-RVCM-HDxx-DR



RFM-RVCM-HD10-DS



RFM-RVCM-HD10-DR

### RFM-RVCM-HD series: End Panel for Double Sided cable manager

Part number	Fits Double Sided RVCM...
RFM-RVCM-HD-48-EP	RFM-RVCM-HDxx-DS-48
RFM-RVCM-HD-EP	RFM-RVCM-HDxx-DS
RFM-RVCM-HD-72-EP	RFM-RVCM-HD-xx-DS-72

### Cable Spool

Part number	# of Pieces
RFM-CS	10
RFM-CS4	10

### Segregation Bracket Kit

Part number	# of Brackets
RFM-HD-SEG-KIT	6



## OVERHEAD HORIZONTAL CABLE TROUGH FOR RACKS



Horizontal cable trough: 5" width.  
Joiners and End Cap also shown.



Horizontal cable trough - high density: 8" width.  
Joiners and End Cap also shown

### Features:

- Heavy gauge steel
- Manage cables across top of rack
- Modular design for easy moves and adds
- Durable textured powder coated finish

### Highlights:

- Easy to assemble and install
- Trough spans rack; joiners span vertical cable managers and join troughs. End caps finish the end of row
- Waterfall design on ends of troughs support cables as they transition into vertical CMS

### Horizontal Cable Trough: 5" Width

Part description	Part number	A	B	C
HCT FOR 19" EIA RACKS	RFM-119-HCT	21.50	4.75	5.88
HCT FOR 23" EIA RACKS	RFM-123-HCT	25.50	4.75	5.88
END CAP FOR 5" TROUGH*	RFM-HCT-5-E	0.75	4.75	5.88
JOINER FOR END CAP	RFM-HCT-J-0	1.625	4.56	n/a

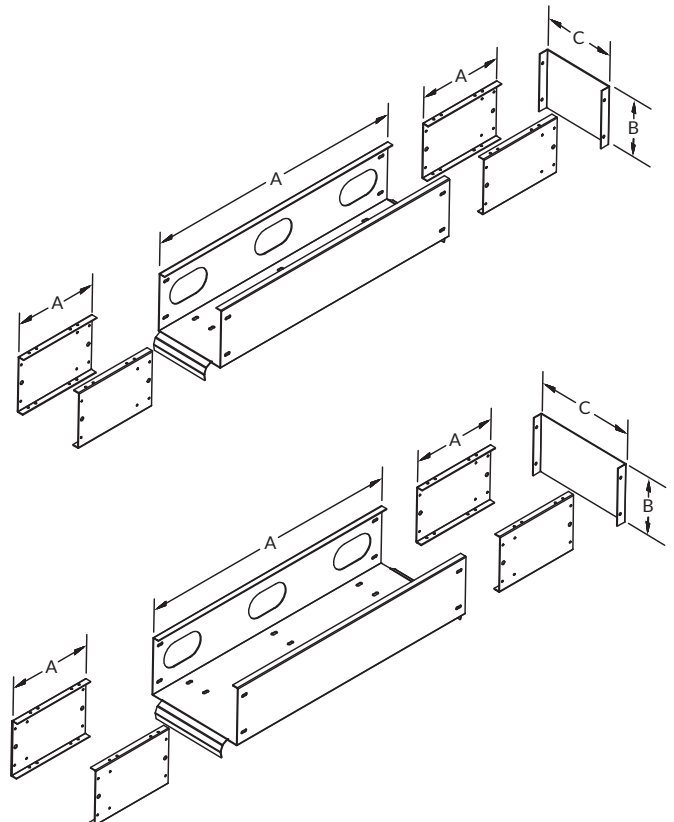
### Horizontal Cable Trough - High Density: 8" Width

Part description	Part number	A	B	C
HCT FOR 19" EIA RACKS	RFM-119-HCT-8	21.50	4.75	7.88
END CAP FOR 8" TROUGH*	RFM-HCT-8-E	0.75	4.75	8.00
JOINER FOR END CAP	RFM-HCT-J-0	1.625	4.56	n/a

### Horizontal Cable Trough - Optional Joiners

Part description	Part number	A	B	C
Joiner spans 5" Horizontally	RFM-HCT-J-5	6.90	4.56	n/a
Joiner Spans 8" Horizontally	RFM-HCT-J-8	9.90	4.56	n/a
Joiner Spans 10" Horizontally	RFM-HCT-J-10	11.75	4.56	n/a
Joiner Spans 12" Horizontally	RFM-HCT-J-12	13.75	4.56	n/a
Joiner Spans 15" Horizontally	RFM-HCT-J-15	16.75	4.56	n/a
Joiner Spans 18" Horizontally	RFM-HCT-J-18	19.75	4.56	n/a

\*Note: HCT End Cap (RFM-HCT-x-E) req's Joiner (RFM-HCT-J-xx).  
Proper joiner size selection depends on depth of cable manager installed.



## HORIZONTAL CABLE TROUGH: FRONT TO BACK



### Features:

- Heavy gauge steel
- Designed for use with R.F.Mote Four Post Rack
- Manages cables from front rack vertical cable manager to rear rack vertical cable manager
- Modular design
- Attaches to the vertical cable manager and is adjustable from 18" to 34" Length
- Durable textured powder coated finish

### Highlights:

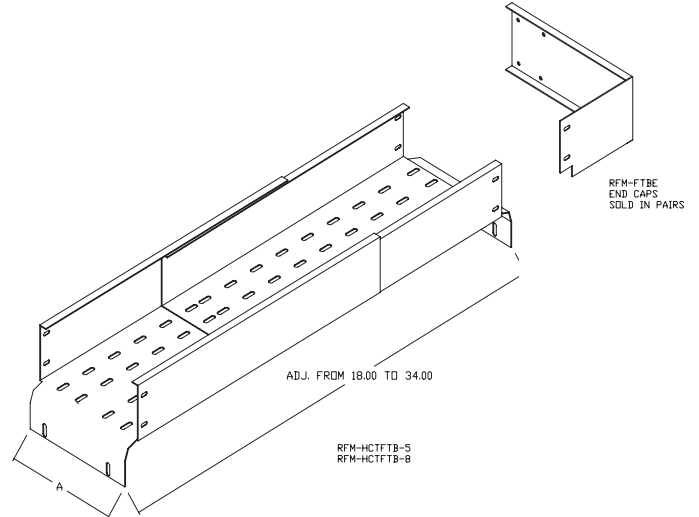
- Easy to assemble and install
- Waterfall design on ends of troughs support cables as they transition into vertical CMS

### Horizontal cable trough - Front to Back

Part number	A
RFM-HCT-FTB-5	5.00
RFM-HCT-FTB-8	8.00

### End cap for RFM-HCT-FTB-x

Fits...	Part number
RFM-HCT-FTB-5	RFM-FTBE-5
RFM-HCT-FTB-8	RFM-FTBE-8



## RACK SHELF: 2 POINT RACK MOUNTING

### Front mount, Centre mount, and Retractable / Sliding



Front mount  
(100LB load capacity)



Centre mount, double-sided  
(200LB load capacity)



Retractable / sliding  
(100LB load capacity)

#### Features:

- Heavy gauge steel
- 19" Rack mount shelf fits RFM Series Cabinets and Racks
- 2-point rack mounting
- Perforated for ventilation, mounting servers, cable ties, and accessories
- Durable textured powder coated finish
- Standard colour is all black

#### Highlights:

- All -RRS series shelves feature heavy duty full extension drawer slides
- All -RRS series shelves feature return bends for added strength

Front mount - fixed series - 100LB capacity					
	PART NUMBER	A	B	C	# of U's
19" EIA MOUNT	RFM-1915-RFS	17.50	15.00	3.50	2U
	RFM-1921-RFS	17.50	21.00	3.50	2U
	RFM-1912-RFS	17.50	12.00	3.50	2U
	RFM-1909-RFS	17.50	9.00	3.50	2U

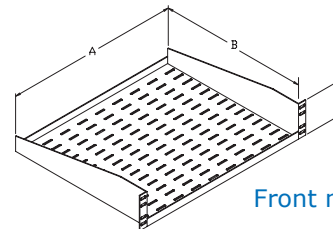
Note: 23" mount available on request

Centre mount - fixed series - 200LB capacity					
	PART NUMBER	A	B	C	# of U's
19" EIA MOUNT	RFM-1920-DRFS	17.50	20.00	8.50	2U
	RFM-1928-DRFS	17.50	28.00	12.50	2U

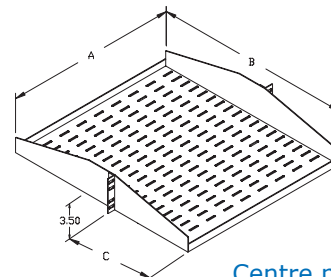
Note: 23" mount available on request

Front mount - retractable series - 100LB capacity				
	PART NUMBER	A	B	# of U's
19" MOUNT	RFM-1920-RRS	16.50	20.00	2U

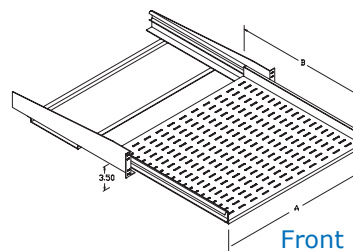
Note: 23" mount available on request



Front mount - fixed



Centre mount, double sided



Front mount, retractable

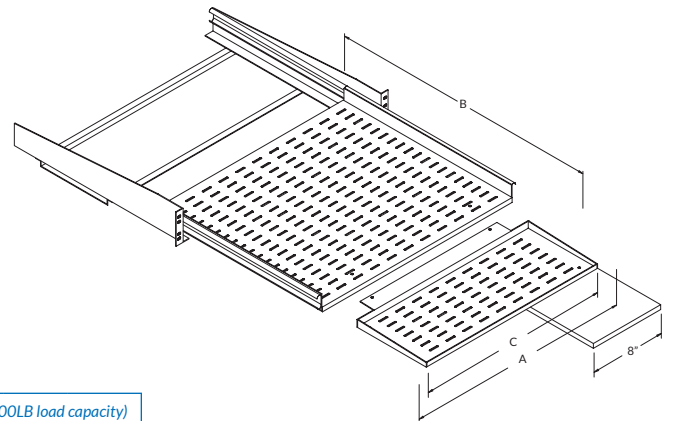
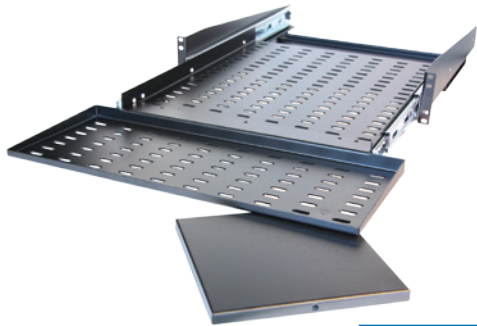
## RACK SHELF: 2 POINT RACK MOUNTING Retractable w/keyboard and Folding keyboard

### Features:

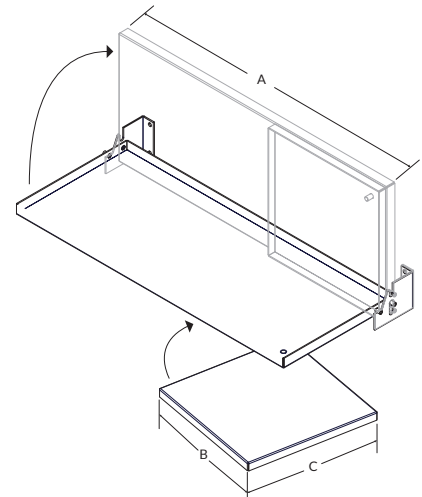
- Heavy gauge steel
- 2-point rack mounting
- Return bends for strength
- Perforated for ventilation, mounting servers, cable ties, and accessories
- Durable textured powder coated finish
- Standard colour is all black

### Highlights:

- All retractable shelves feature heavy duty full extension drawer slides

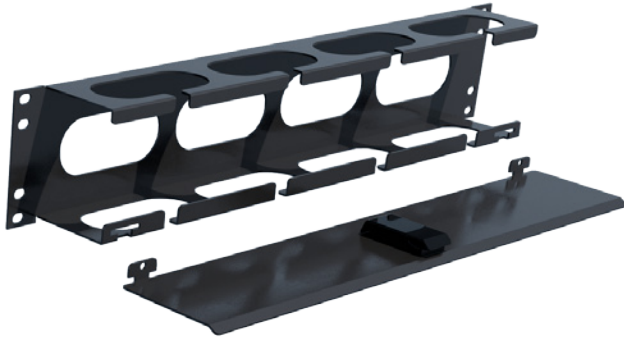


Retractable with keyboard shelf & mouse pad surface (100LB load capacity)					
	Part number	A	B	C	# of U's
19" EIA Mount	RFM-1928-RKS	16.50	28.50	20.38	2U

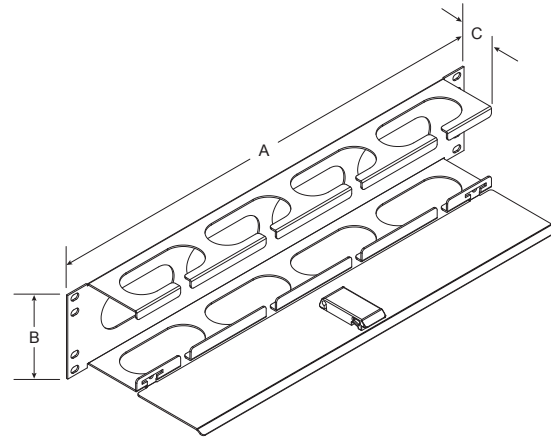


Fold-up keyboard tray & pivoting mouse pad surface				
	Part number	A	B	C
19" EIA Mount	RFM-FKBA-19	19.25	8.00	8.00

## HORIZONTAL CABLE MANAGER



- Heavy gauge steel
- Door latches closed
- Removable door for ease of cable installation
- Durable black textured powder coated finish
- Custom sizes available on request

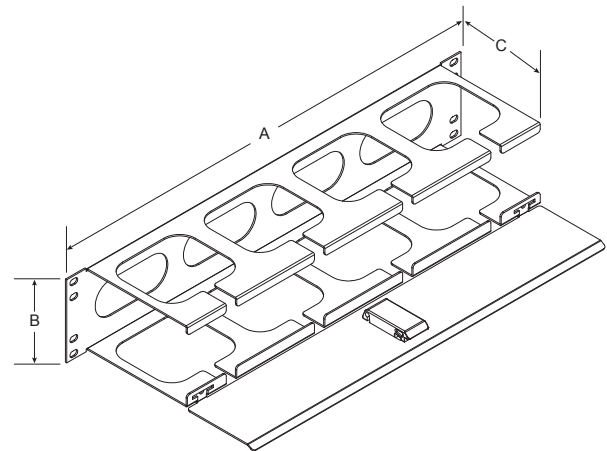


19" EIA Mounting				
Part number	A	B	C	# of U's
RFM-191D-HCM	19.00	1.75	2.40	1U
RFM-192D-HCM-TD	19.00	3.50	2.40	2U
RFM-194D-HCM-TD	19.00	7.00	2.40	4U

## HORIZONTAL CABLE MANAGER: EXTRA DEEP



- Heavy gauge steel
- Door latches closed
- Extra depth for high density cable management
- Slots cut in front of HCM allow for easy removal / addition of cables
- Removable door for ease of cable installation and removal
- Durable black textured powder coated finish



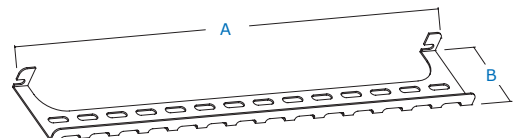
19" EIA Mounting				
Part number	A	B	C	# of U's
RFM-191D-HCM-D	19.00	1.75	5.0	1U
RFM-192D-HCM-D	19.00	3.50	5.0	2U

## HORIZONTAL CABLE MANAGER: ZERO U

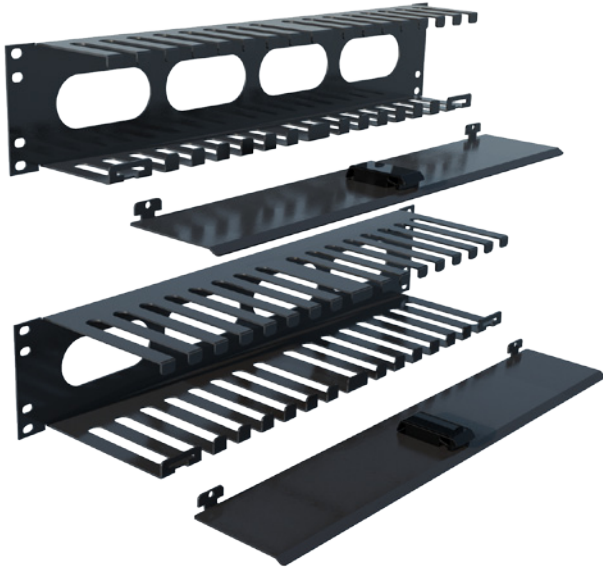


- Zero u horizontal cable manager takes up no rack space, bolts to patch panel or powerbar, etc.
- Provisions for cable ties
- Durable black textured powder coated finish

19" EIA Mounting		
Part number	A	B
RFM-0U-HCM-19	19.00	3.00
RFM-0U-HCM-19-5	19.00	5.00

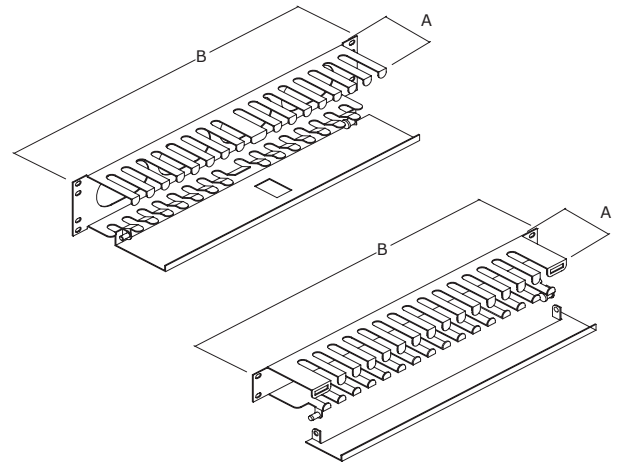


## HORIZONTAL CABLE MANAGER FINGER STYLE



Features:

- Heavy gauge steel
- Removeable door for ease of cable installation and removal
- Door latches closed
- Durable black textured powder coated finish



Part number	A	B	# of U's
RFM-191D-HCM-F	3.00	19.00	1U
RFM-192D-HCM-F	3.00	19.00	2U
RFM-191D-HCM-FD	5.00	19.00	1U
RFM-192D-HCM-FD	5.00	19.00	2U
RFM-194D-HCM-FD	5.00	19.00	4U

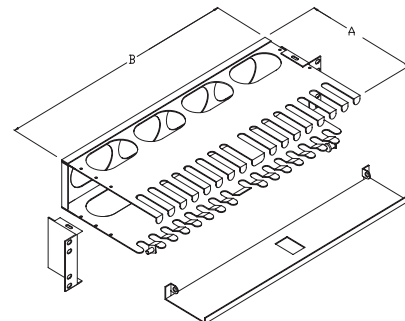
## HORIZONTAL CABLE MANAGER FINGER STYLE: HIGH DENSITY ADJUSTABLE



Features:

- Heavy gauge steel
- Removeable door for ease of cable installation and removal
- Adjustable mounting brackets allow the unit to be installed with an offset of 3", 5.5", or 7.5" in front of the rack
- Door latches closed
- Designed for use with patch cords with extra long boots
- Durable black textured powder coated finish

Part number	A	B	# of U's
RFM-192D-HCM-FHD	8.125	19"EIA	2U



## POWER BARS: VERTICAL AND HORIZONTAL

### Horizontal model



### Features:

- UL approved
- Standard cord length is 15' (4.57M)
- Both Vertical and Horizontal models
- 15A and 20A available
- 19" EIA mount for horizontal models
- Standard colour is black



### Horizontal model

PART / MODEL NUMBER	RATED	MOUNT POSITION / SIZE	# OF OUTLETS / TYPE	PLUG	TYPE	SWITCHED
RFM-19-PBH-8	15A	HORIZONTAL / 19"W	8 OUTLETS (2-FR, 6-REAR) / 5-15R	STRAIGHT BLADE	5-15P	NO
RFM-19-PBHT	15A	HORIZONTAL / 19"W	6 OUTLETS / 5-15R	TWIST-LOCK	5-15P	YES
RFM-19-PBH-20A	20A	HORIZONTAL / 19"W	6 OUTLETS / 5-20R	STRAIGHT BLADE	5-20P	NO
RFM-19-PBHT-20A	20A	HORIZONTAL / 19"W	6 OUTLETS / 5-20R	TWIST-LOCK	L5-20P	NO

### Vertical model

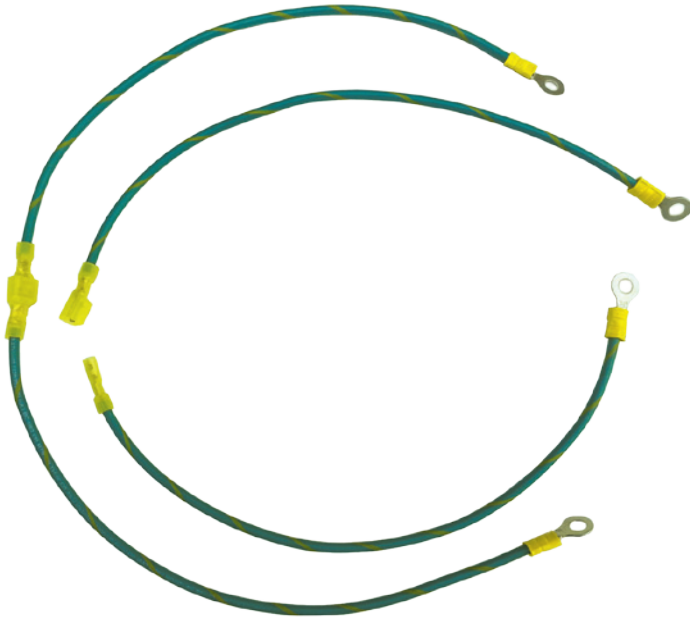
PART / MODEL NUMBER	RATED	MOUNT POSITION / SIZE	# OF OUTLETS / TYPE	PLUG	TYPE	SWITCHED	WIDTH	LENGTH	DEPTH
RFM-48-PBV-18	15A	VERTICAL / 48"H	18 OUTLETS / 5-15R	STRAIGHT BLADE	5-15P	NO	1.6	48	1.5
RFM-52-PBVT	15A	VERTICAL / 52"H	8 OUTLETS / 5-15R	TWIST-LOCK	L5-15P	NO	1.6	48	1.149
RFM-62-PBV-24	15A	VERTICAL / 62"H	24 OUTLETS / 5-15R	STRAIGHT BLADE	5-15P	NO	1.6	62	1.5
RFM-76-PBVT	15A	VERTICAL / 76"H	12 OUTLETS / 5-15R	TWIST-LOCK	L5-15P	NO	1.6	77.5	1.149
RFM-52-PBV-20A	20A	VERTICAL / 52"H	8 OUTLETS / 5-20R	STRAIGHT BLADE	5-20P	NO	1.6	48	1.149
RFM-62-PBV-20A-24	20A	VERTICAL / 62"H	24 OUTLETS / 5-20R	STRAIGHT BLADE	5-20P	NO	1.6	62	1.5
RFM-62-PBVT-20A-24	20A	VERTICAL / 62"H	24 OUTLETS / 5-20R	TWIST-LOCK	L5-20P	NO	1.6	62	1.5

Other models available upon request - Consult factory for additional options



## GROUNDING KIT

PART NUMBER
RFM-GRD-KIT



### Features:

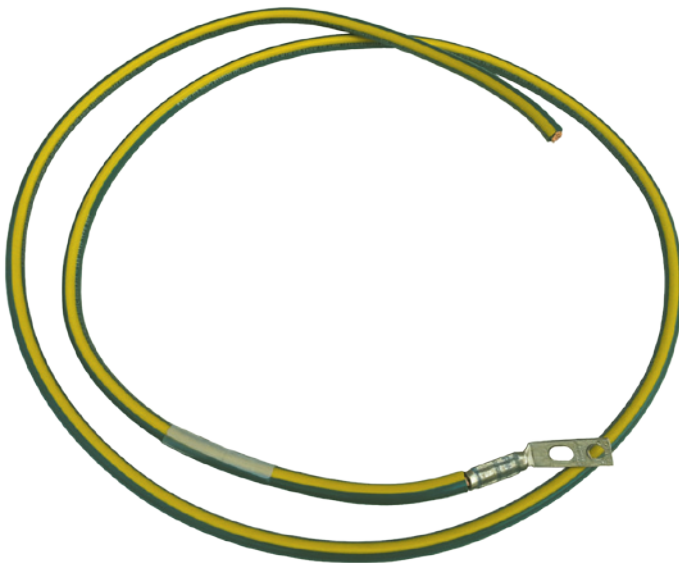
Kit c/w 2 Assemblies and accommodates 2 doors

Each Assembly consists of:

- 2 x 10 AWG Wire
- 16" Cable Length (0.406 M) (each cable)
- 2 x 1/4" Crimped Lug Connectors (w/1 Eye Hole)
- 2 x #10-32 Keps Nuts
- 1 x M/F 250 Disconnect

## JUMPER KIT

PART NUMBER
RFM-JK-60



### Features:

- 6 AWG Wire
- 60" Cable Length (1.54 M)
- includes (1x) 10-32 Keps Nut
- includes (1x) 1/4"-20 Keps Nut
- Crimped one end: 1/4" Lug Connector (45 Degree Angle, 2 Eye Holes)

## CABLE SPOOL



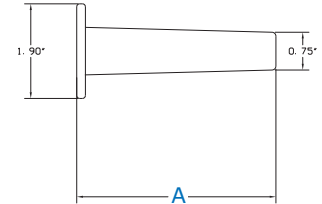
**Features:**

- Round design maintains gentle bend radius
- Fits all rack style cable managers, vertical cable troughs, and RFM Series Cabinet or Four Post rack cross members
- Easy assembly can be attached inside or outside of cable manager
- ABS UL-VO rated

**Highlights:**

- Supports slack cables
- Available in 1.5" or 4" length
- Convenient package of 10

PART NUMBER	A
RFM-CS	1.50
RFM-CS4	4.00



## D-RING



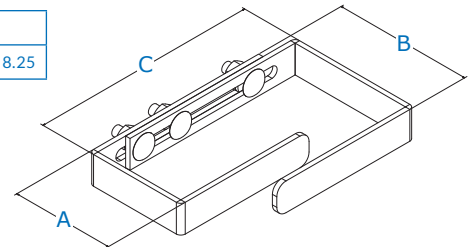
**Features:**

- Attaches to vertical cable managers, cabinet cross members, or four post rack brackets
- Fits all rack style cable managers, vertical cable troughs, and RFM Series Cabinet or Four Post rack cross members
- Use with VCT for high density CMS
- Easy assembly can be attached inside or outside of cable manager
- Durable textured powder coated finish

**Highlights:**

- Adjustable width: 4.75" ~ 8.25"

PART NUMBER	A	B	C
RFM-DR-ADJ	2.50	3.375	4.75 ~ 8.25



## SEG-KIT [Segregation Bracket Kit]



**Features:**

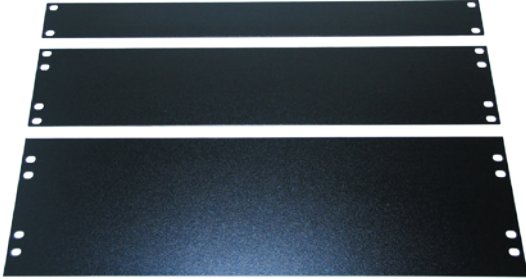
- Heavy gauge steel
- Designed for use with all R.F.Mote 38U, 44U, and 48U Server Racks (*see page 4.1.1*)
- Segregation Brackets may be installed to separate Fiber cables from Patch cords

**Highlights:**

- Keep Fiber cables separated from Patch cords
- Convenient package of 6

Part number	# of Brackets
RFM-HD-SEG-KIT	6

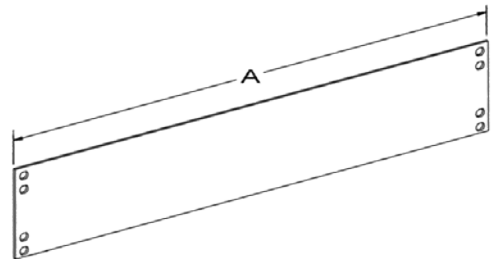
## BLANKING PLATES: STEEL



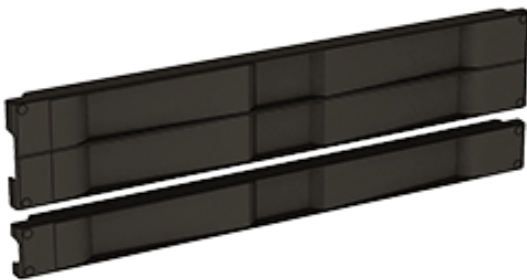
### Features:

- Heavy gauge steel
- Fill empty rack spaces to enhance cooling airflow and appearance
- Mounting available for 19" or 23" EIA rails
- Durable black textured powder coated finish
- 23" EIA mount available upon request
- Custom sizes available upon request

19" EIA mount		
PART NUMBER	A	# of U's
RFM-BP19-1U	19.00	1U
RFM-BP19-2U	19.00	2U
RFM-BP19-3U	19.00	3U
RFM-BP19-4U	19.00	4U
RFM-BP19-5U	19.00	5U
RFM-BP19-9U	19.00	9U



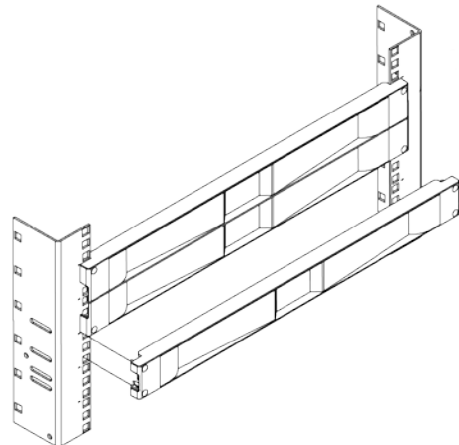
## TOOL-LESS BLANKING PLATES: COMPOSITE



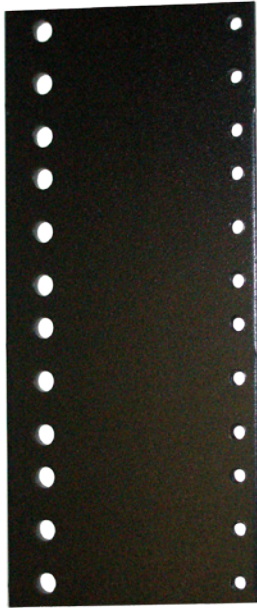
### Features:

- Black composite material
- Fill empty rack spaces to enhance cooling airflow and appearance
- 1U and 2U available
- Easy, tool-less installation
- Used in tapped or square 19" EIA rails
- Supplied in contractor packs: qty 10

19" EIA mount		
PART NUMBER	QTY/PKG	# of U's
RFM-BPTL-19-1U	10	1U
RFM-BPTL-19-2U	10	2U



## REDUCER PLATES

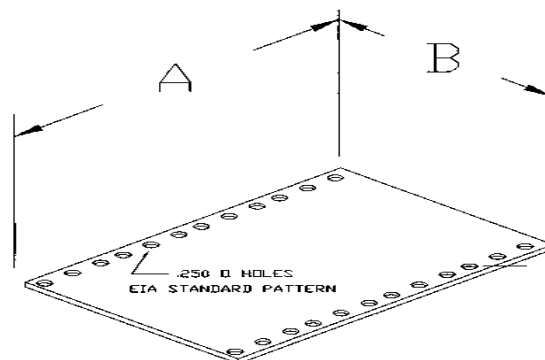


Features:

- Heavy gauge steel
- Reduce rack widths to 19" EIA
- Tapped #10-32 EIA standard pattern
- Standard colour is black
- Custom sizes available upon request

23" EIA TO 19" EIA		
PART NUMBER	A	B
RFM-2319-1-RP	1U	2.50
RFM-2319-2-RP	2U	2.50
RFM-2319-4-RP	4U	2.50

24" EIA TO 19" EIA		
PART NUMBER	A	B
RFM-2419-1-RP	1U	3.00
RFM-2419-2-RP	2U	3.00
RFM-2419-4-RP	4U	3.00



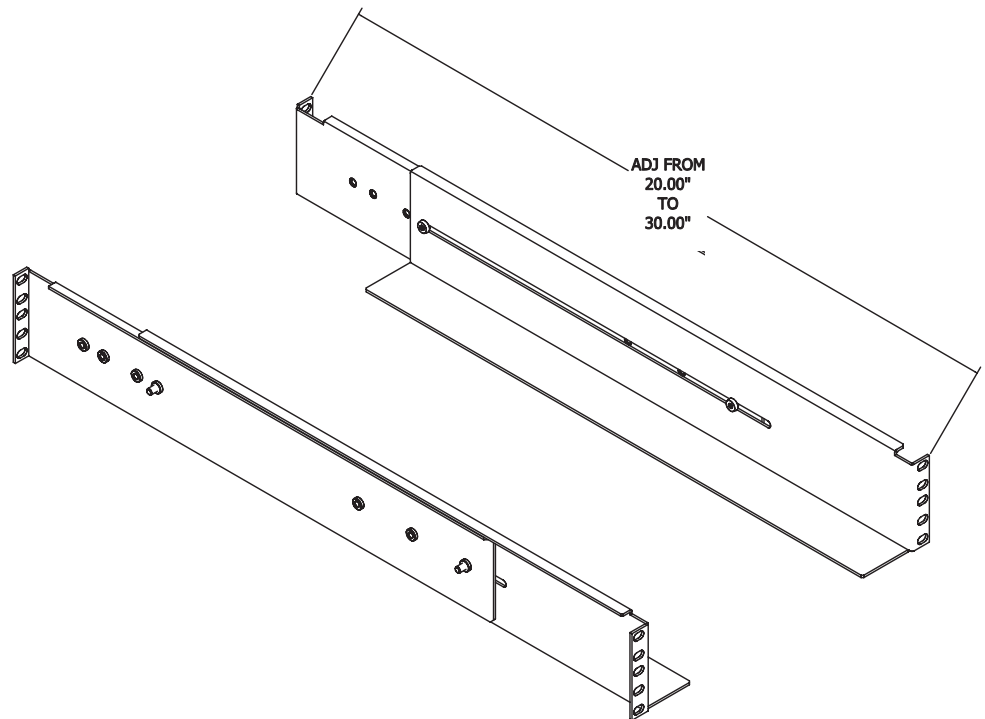
## SERVER SUPPORT BRACKETS



### Features:

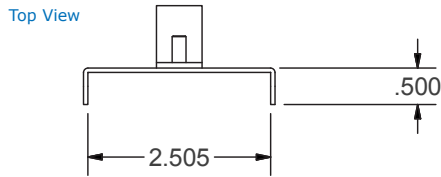
- Heavy gauge steel
- Adjustable from 20" to 30"
- Sold in pairs
- Bolts to equipment rails
- Provides 4-point support for equipment
- Durable black textured powder coated finish

PART NUMBER	DEPTH (ADJ)	# of U's
RFM-UPS-4PKT-FLM	20" to 30"	2U

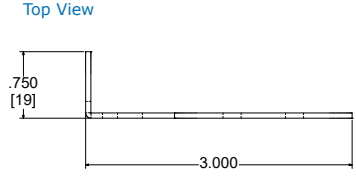


## PDU BRACKET

### FOR 83"H CABINETS



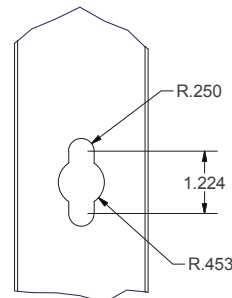
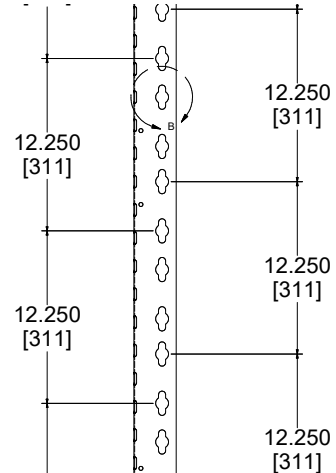
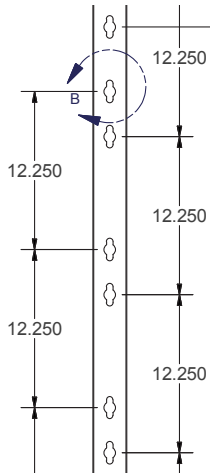
### FOR 90"H CABINETS



#### Features:

- Heavy gauge steel
- Enables user to mount most popular 3rd party vertical PDU within RFM Series 83"H Cabinets
- Key holes facilitate installation of PDU's with tool less mounting pegs
- Durable black textured powder coated finish

PART NUMBER	W	ID	L
RFM-83-PDU-SN	0.50	2.50	79.00
RFM-90-PDU-S	0.75	2.94	85.00



## AIR FILTER - FOR 4" EXHAUST FAN



### Features:

- Durable composite material
- Easy to install - attaches directly to 4" Fan\*
- Snap on 'top' for convenient filter maintenance or cleaning

\*note: 4" Fan must be ordered as a separate item  
(see page 2.1.1)

PART NUMBER	W	L	D
RFM-FAN-FILTERS	4.875	4.875	0.375

## AIR FILTER - FOR LOUVERED DOORS



### Features:

- Heavy gauge steel
- Mounts directly to inside of RFM Louvered door\*
- Convenient filter access for maintenance or cleaning
- Filter included

\*note: Louvered door must be ordered as a separate item  
(see Page 1.3.2)

PART NUMBER	W	L	D
RFM-AF-30	6.625	23.625	1.00
RFM-AF-24	6.625	17.625	1.00

## PRODUCTS WE MANUFACTURE:

- *Cabinets and Racks*
- *Custom Metal Fabrication*
- *Cage Containment*
- *Hot and Cold Aisle Containment*
- *Work Benches*
- *Custom Enclosures*

**R. F. MOTE**  
**214 Newkirk Road**  
**Richmond Hill, Ontario**  
**L4C 3G7**

**Phone:** 1-905-884-5250  
**Fax:** 1-905-737-5188  
**Internet:** <http://www.rfmote.com>  
**Email:** [info@rfmote.com](mailto:info@rfmote.com)