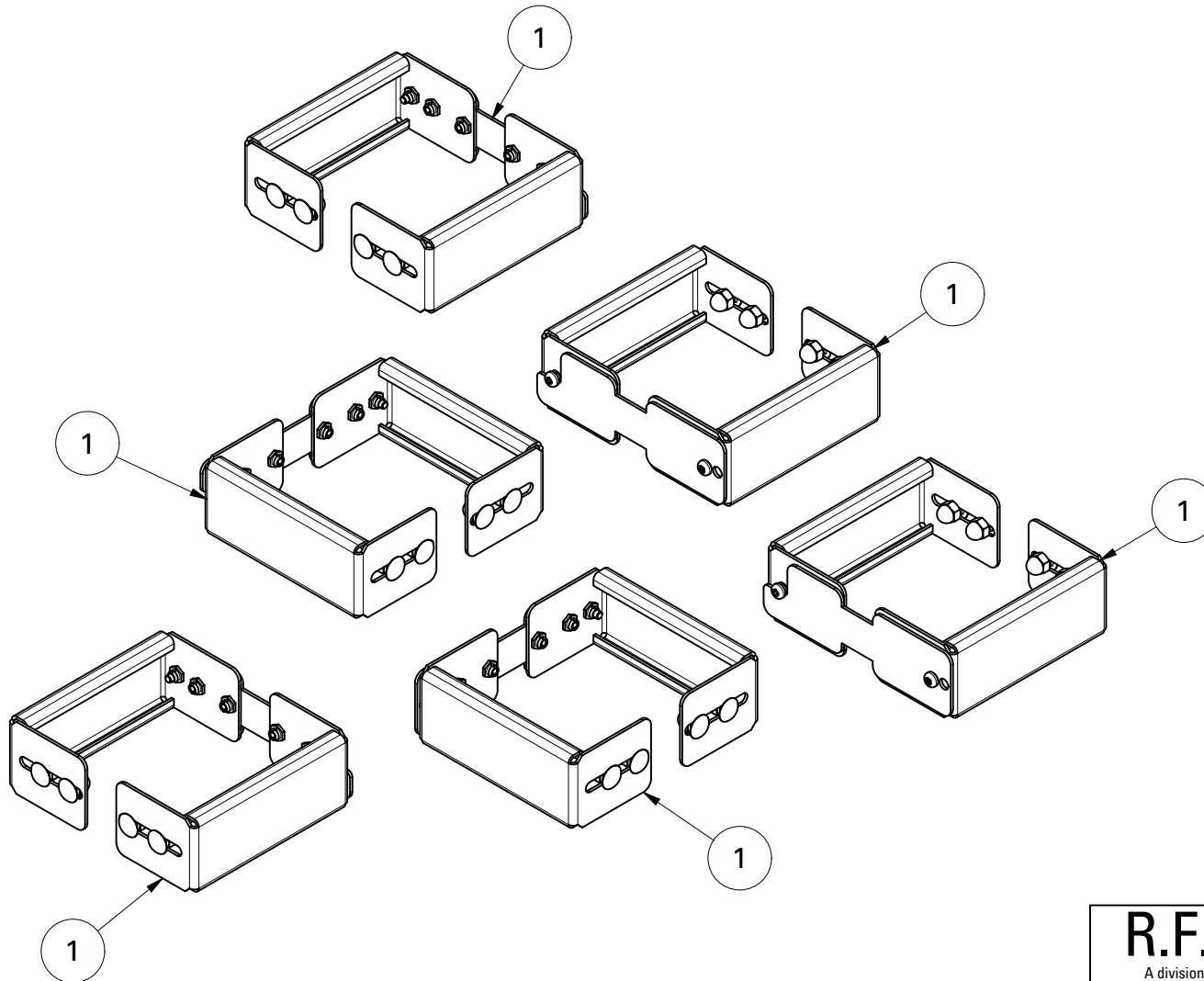


PARTS LIST

ITEM	QTY	PART NUMBER	REV	CODE
1	6	RFM-RHDV-DR	03	



R.F. MOTE

A division of Chatsworth Products

214 NEWKIRK RD.
RICHMOND HILL, ONTARIO
L4C 3G7
PHONE (905) 884-5250
FAX (905) 737-5188

TOLERANCES
FRAC. $\pm 1/16''$
ANGLE $\pm 1.0^\circ$
HOLES $\pm 0.003''$
0.000 $\pm 0.015''$

DESCRIPTION
**REAR CABLE RING KIT FOR 6" - 10" WIDE MANAGERS,
SET OF 6, BLACK**

PART NUMBER
GENERIC RFM-HDCRK-6-10-B

DATE
10-Jun-24

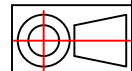
AUTHOR
gillison j

MASS
8.09 lb

REV
00

SHEET 1 OF 2

See page 2 for install.



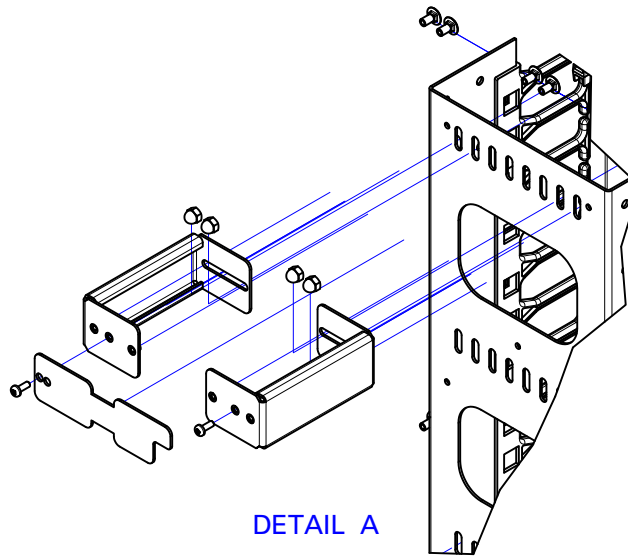
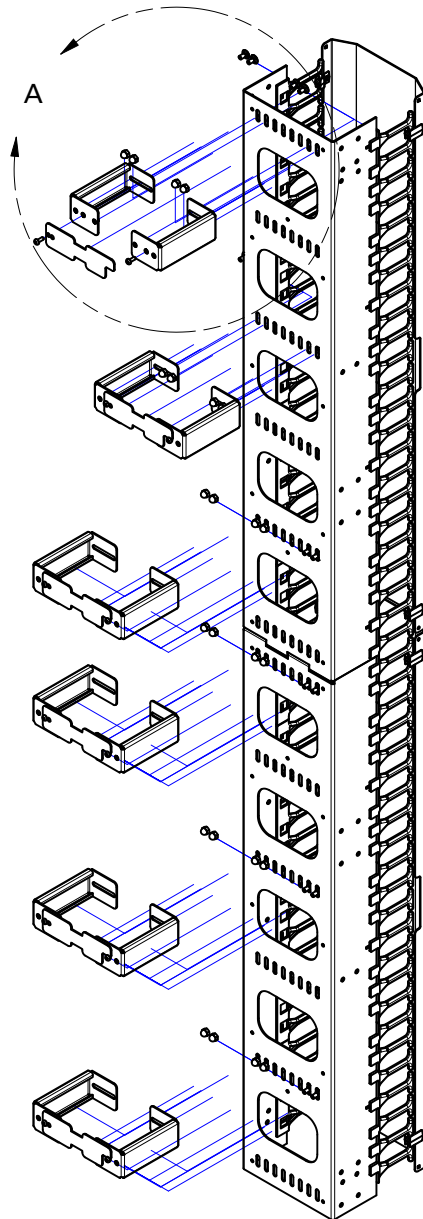
The information contained herewithin is proprietary and confidential to R.F.MOTE LTD. It may not be reproduced or further disseminated, in whole or in part, without prior written consent from R.F.MOTE LTD.

RFM-HDCRK-6-10-B INSTALLATION

* High density cable ring kits mount to the back of any cable managers (RFM-RHDV-XX-XX-SB) ranging from 6" to 10" max.

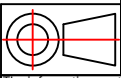
RFM-RHDV-DR singles (x6) can be located at any desired location and fasten with the hardware package provided.

1/4" carriage bolts should be inserted from the inside of the cable manger and accepting acorn nuts on the inside of the RHDV-DR (See image for reference)



R.F. MOTE
 A division of Chatsworth Products

214 NEWKIRK RD.
 RICHMOND HILL, ONTARIO
 L4C 3G7
 PHONE (905) 884-5250
 FAX (905) 737-5188

TOLERANCES	DESCRIPTION		
FRAC. ± 1/16"	PART NUMBER GENERIC RFM-HDCRK-6-10-B ASSEMBLY		
ANGLE ± 1.0°			
HOLES ± 0.003"			
0.000 ± 0.015"	DATE 10-Jun-24	MASS 24.19 lb	REV 00
 The information contained herewithin is proprietary and confidential to R.F.MOTE LTD. It may not be reproduced or further disseminated, in whole or in part, without prior written consent from R.F.MOTE LTD.	AUTHOR gillison i	SHEET 2 OF 2	