

RACK SHELF: 2 POINT RACK MOUNTING

Retractable w/keyboard, Retractable w/pivoting keyboard, and Folding keyboard

Features:

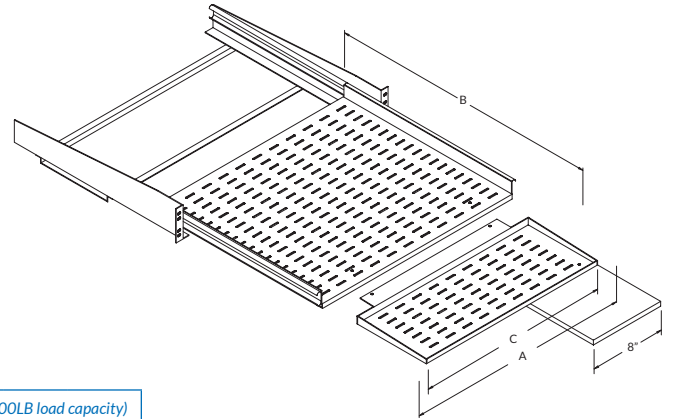
- Heavy gauge steel
- 2-point rack mounting
- Return bends for strength
- Perforated for ventilation, mounting servers, cable ties, and accessories
- Durable textured powder coated finish
- Standard colour is all black

Highlights:

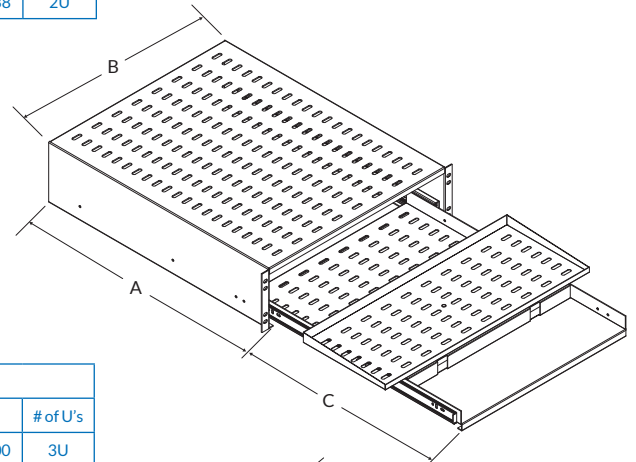
- All retractable shelves feature heavy duty full extension drawer slides



Retractable with keyboard shelf & mouse pad surface (100LB load capacity)					
	Part number	A	B	C	# of U's
19" EIA Mount	RFM-1928-RKS	16.50	28.50	20.38	2U



Retractable with pivoting keyboard shelf					
	Part number	A	B	C	# of U's
19" EIA Mount	RFM-1922-RPKS	22.00	19.00	20.00	3U



Fold-up keyboard tray & pivoting mouse pad surface				
	Part number	A	B	C
19" EIA Mount	RFM-FKBA-19	19.25	8.00	8.00

