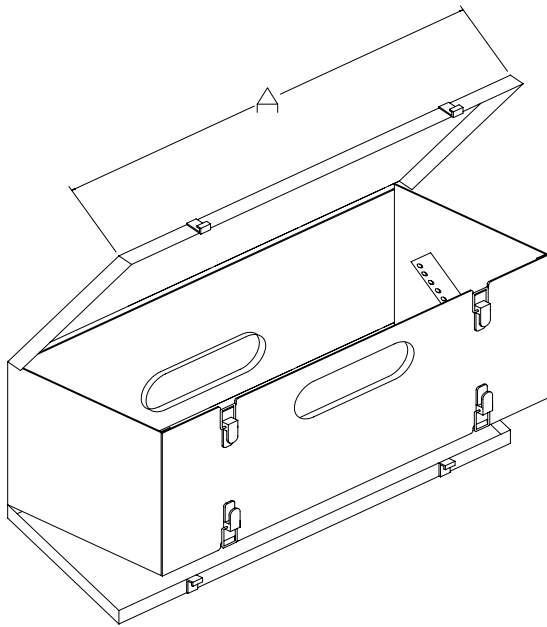


CONSOLIDATION BOX

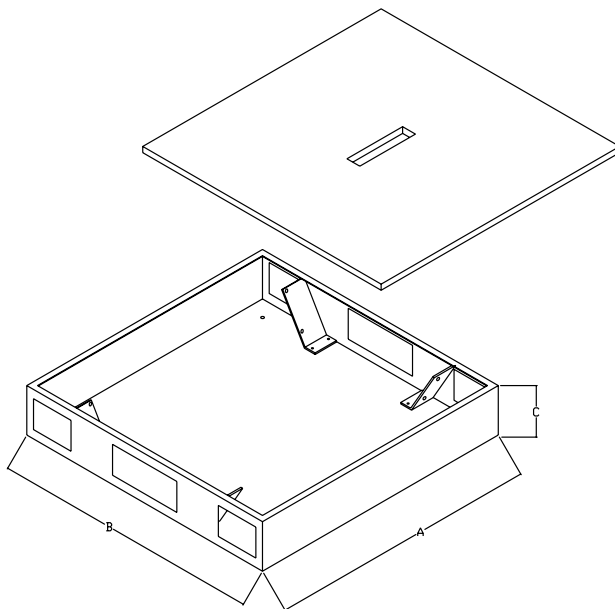


Features:

- Heavy gauge steel
- Unit designed to house 48 port patch panel and up to 48 cat-6a cables through front and rear of box
- Large cable access holes c/w grommets
- Provisions for affixing to ceiling
- Dual hinged designed and sloped equipment mounting angles provide easy access from front or rear of patch panel
- Mounting angles support up to 3U of equipment space
- Durable black textured powder coated finish

PART NUMBER	A	B	C
RFM-820-CB	20.00	8.00	8.00

CONSOLIDATION BOX



Features:

- Heavy gauge steel
- Provisions to mount 2 x 2U patch panels
- Designed for under floor or ceiling mount
- Multiple cable access openings
- Lift off lid mechanically fastened
- Locking version available
- Durable black textured powder coated finish

PART NUMBER	A	B	C
RFM-2222-CB	22.00	22.00	4.00