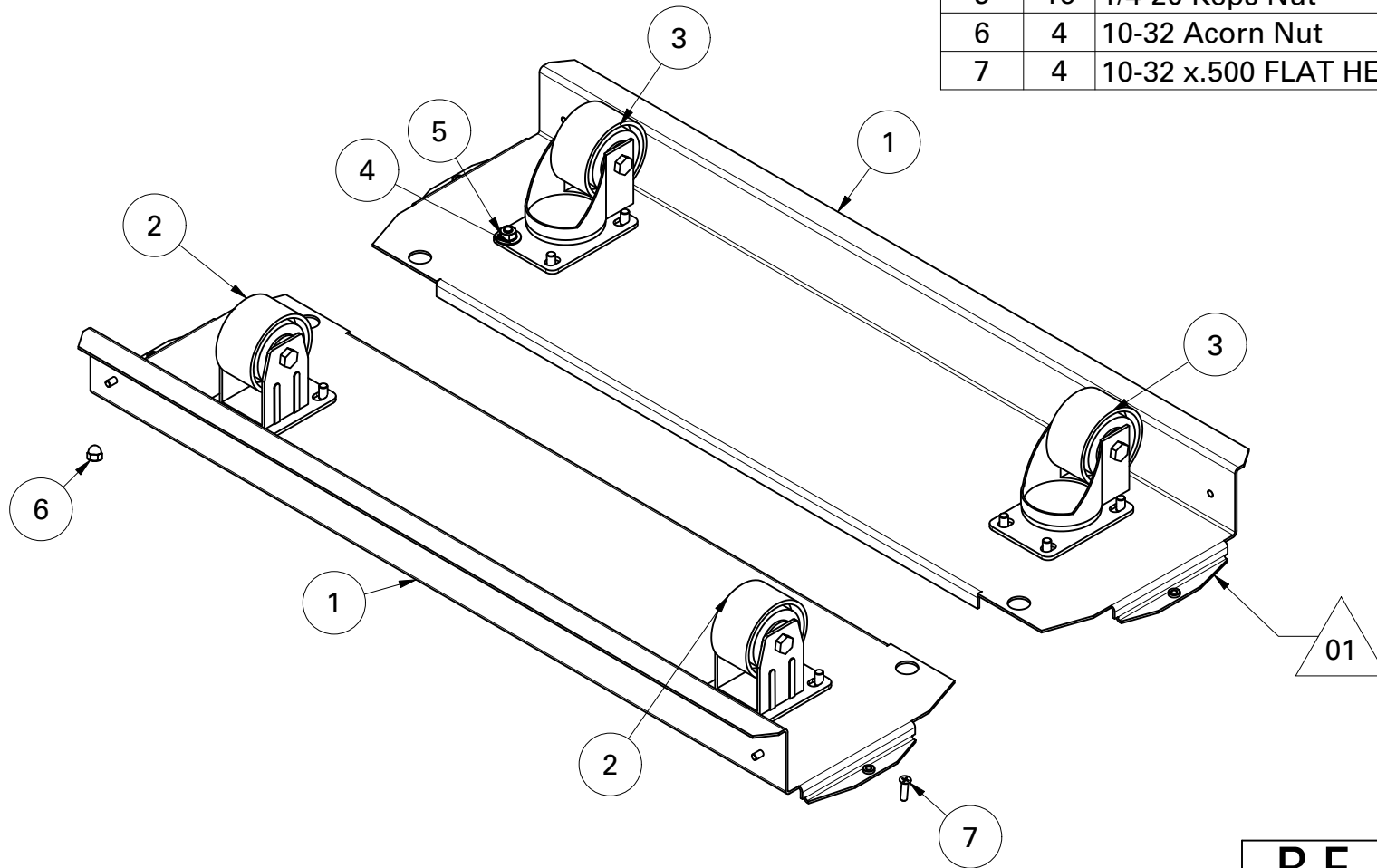


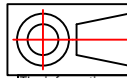
PARTS LIST				
ITEM	QTY	PART NUMBER	REV	CODE
1	2	RFM2-CASTERPAD-30	01	
2	2	2.5 TCH-Caster Wheel-F	00	TCH-218
3	2	2.5 TCH-Caster Wheel-S	00	TCH-217
4	16	5/16 FLAT WASHER BLK ZINC	00	AL4-080
5	16	1/4-20 Keps Nut	00	PAU-006
6	4	10-32 Acorn Nut	00	AL4-052
7	4	10-32 x.500 FLAT HEAD MS	00	AL4-099



R.F. MOTE
 A division of Chatsworth Products

214 NEWKIRK RD.
 RICHMOND HILL, ONTARIO
 L4C 3G7
 PHONE (905) 884-5250
 FAX (905) 737-5188

TOLERANCES FRAC. $\pm 1/16"$ ANGLE $\pm 1.0^\circ$ HOLES $\pm 0.003"$ 0.000 $\pm 0.015"$	DESCRIPTION 2.5" CASTER PAD FOR 30"W RFM2 CABINET 2 SWIVEL AND 2 FIXED	
	PART NUMBER RFM2-2C-B-30	
DATE 17-Jan-24	MASS 15.89 lb	REV 01
AUTHOR gillison j	SHEET 1 OF 1	



The information contained herewith is proprietary and confidential to R.F.MOTE LTD. It may not be reproduced or further disseminated, in whole or in part, without prior written consent from R.F.MOTE LTD.