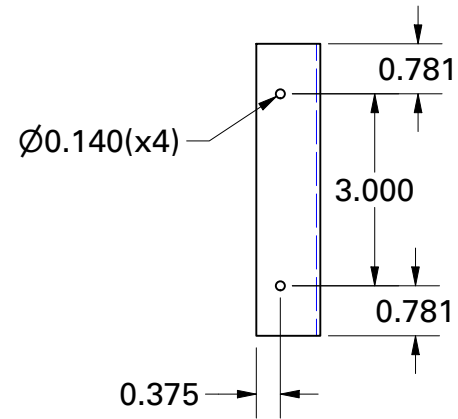
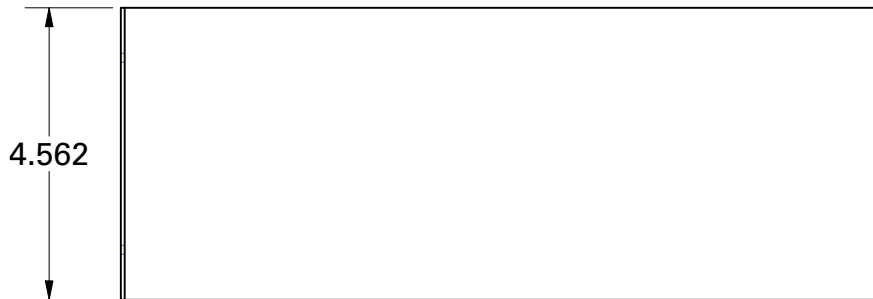
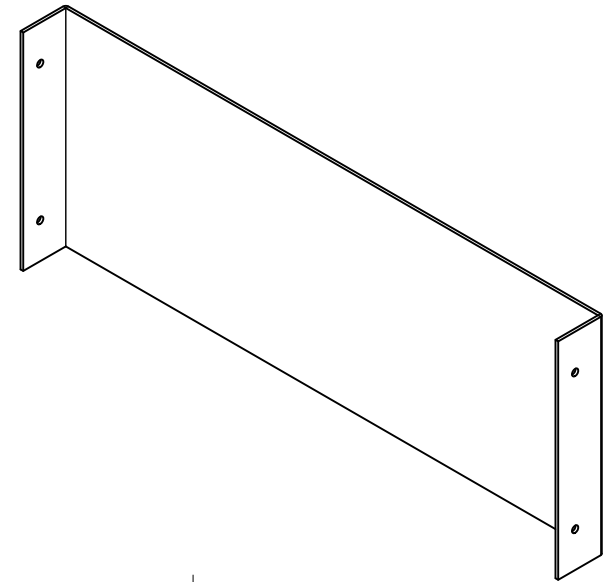
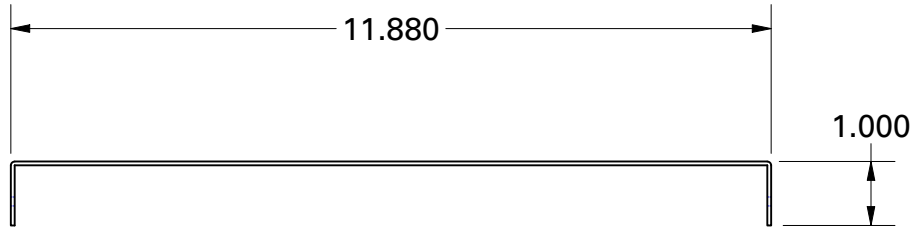
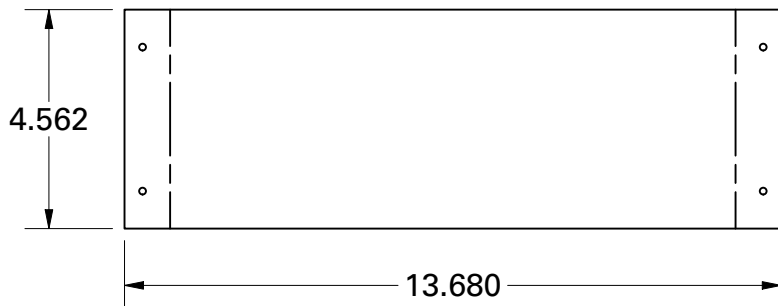


PARTS LIST			
ITEM	QTY	PART NUMBER	CODE
1	1	RFM2 -HCTE-C-12	
2	4	#8 x 3/8 PAN QUAD TAPPING SCREW	AL4-016



CUT PROFILE



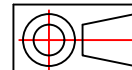
___ QTY REQ'D

R.F. MOTE

A division of Chatsworth Products

TOLERANCES

FRAC. $\pm 1/16"$
 ANGLE $\pm 1.0^\circ$
 HOLE $\pm 0.003"$
 0.000 $\pm 0.015"$



The information contained herewithin is proprietary and confidential to R.F.MOTE LTD. It may not be reproduced or further disseminated, in whole or in part, without prior written consent from R.F.MOTE LTD.

PART NUMBER:
RFM2 -HCTE-C-12

CUT SIZE:
4.56 in X 13.68 in

MATERIAL:
16GA CRS

FINISH/NOTES:

DATE:
23-May-23

MASS:
1.07 lb

REV:
00